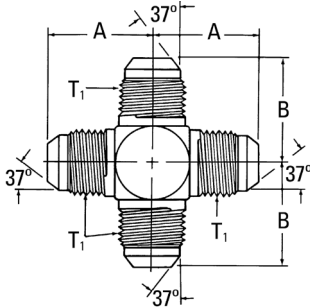


## SAE 37° (JIC) flare union

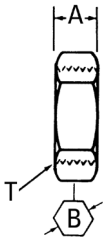
### 37° flare



#### Part no. 2020-(Dash size) (Ref. SAE 070501)

| Dash size | Tube O.D. |      | Thread T  | A    |      | B    |      |
|-----------|-----------|------|-----------|------|------|------|------|
|           | mm        | in   |           | mm   | in   | mm   | in   |
| 4-4S      | 6,3       | 0.25 | 7/16-20   | 22,6 | 0.89 | 22,6 | 0.89 |
| 6-6S      | 9,6       | 0.38 | 9/16-18   | 26,9 | 1.06 | 26,9 | 1.06 |
| 8-8S      | 12,7      | 0.50 | 3/4-16    | 31,8 | 1.25 | 31,8 | 1.25 |
| 12-12S    | 19,0      | 0.75 | 1 1/16-12 | 42,2 | 1.66 | 44,2 | 1.74 |
| 16-16S    | 25,4      | 1.00 | 1 5/16-12 | 46,0 | 1.81 | 49,8 | 1.96 |

### Bulkhead lock nut

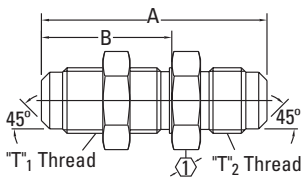


#### Part no. 210212-(Dash size) (Ref. SAE 070118)

| Dash size | Tube O.D. |      | Thread T  | A    |      | B    |      |
|-----------|-----------|------|-----------|------|------|------|------|
|           | mm        | in   |           | mm   | in   | mm   | in   |
| 4S        | 6,3       | 0.25 | 7/16-20   | 6,4  | 0.25 | 17,6 | 0.69 |
| 5S        | 7,9       | 0.31 | 1/2-20    | 6,4  | 0.25 | 19,0 | 0.75 |
| 6S        | 9,6       | 0.38 | 9/16-18   | 6,8  | 0.27 | 20,6 | 0.81 |
| 8S        | 12,7      | 0.50 | 3/4-16    | 7,9  | 0.31 | 25,4 | 1.00 |
| 10S       | 16,0      | 0.63 | 7/8-14    | 9,1  | 0.36 | 28,5 | 1.12 |
| 12S       | 19,0      | 0.75 | 1 1/16-12 | 10,4 | 0.41 | 35,1 | 1.38 |
| 16S       | 25,4      | 1.00 | 1 5/16-12 | 10,4 | 0.41 | 41,1 | 1.62 |
| 20S       | 31,7      | 1.25 | 1 5/8-12  | 10,4 | 0.41 | 47,7 | 1.88 |
| 24S       | 38,1      | 1.50 | 1 7/8-12  | 10,4 | 0.41 | 53,9 | 2.12 |

## SAE 45° flare union

### SAE 45° flare bulkhead/45° flare

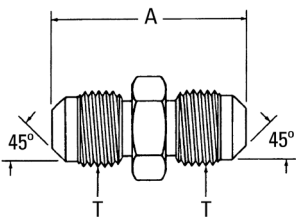


#### Part no. 2056-(Dash size)

| Dash size | Tube O.D. |      | Thread T1 | Thread T2 | A    |      | B    |      | 1    |      |
|-----------|-----------|------|-----------|-----------|------|------|------|------|------|------|
|           | mm        | in   |           |           | mm   | in   | mm   | in   | mm   | in   |
| 10-10S    | 16,0      | 0.63 | 7/8-14    | 7/8-14    | 75,9 | 2.99 | 43,9 | 1.73 | 28,5 | 1.12 |

Note: Note: Available without nut. Order by Part no. 2056-1-(Dash size).

### 45° flare/45° flare



#### Part no. 2060-(Dash size) (Ref. SAE 010101)

| Dash size | Tube O.D. |      | Thread T  | A    |
|-----------|-----------|------|-----------|------|
|           | mm        | in   |           | mm   |
| 4-4B      | 6,3       | 0.25 | 7/16-20   | 30,3 |
| 5-5B      | 7,9       | 0.31 | 1/2-20    | 34,0 |
| 6-6B      | 9,6       | 0.38 | 5/8-18    | 38,1 |
| 8-8B      | 12,7      | 0.50 | 3/4-16    | 46,0 |
| 10-10B    | 16,0      | 0.63 | 7/8-14    | 53,9 |
| 12-12B    | 19,0      | 0.75 | 1 1/16-14 | 62,0 |