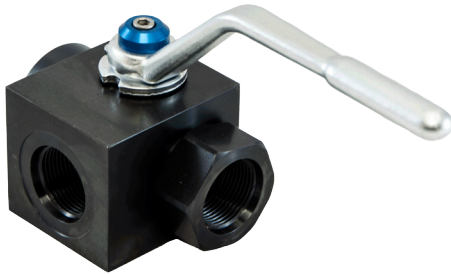


BV3D/BV3DZ STEEL DIVERTER

The smart alternative to "converted 2-way" diverters
 Rated for 3000 PSI ~ Sizes from ¼" to 2" NPT/SAE/BSP
 Designed as an "L-Bore" Diverter



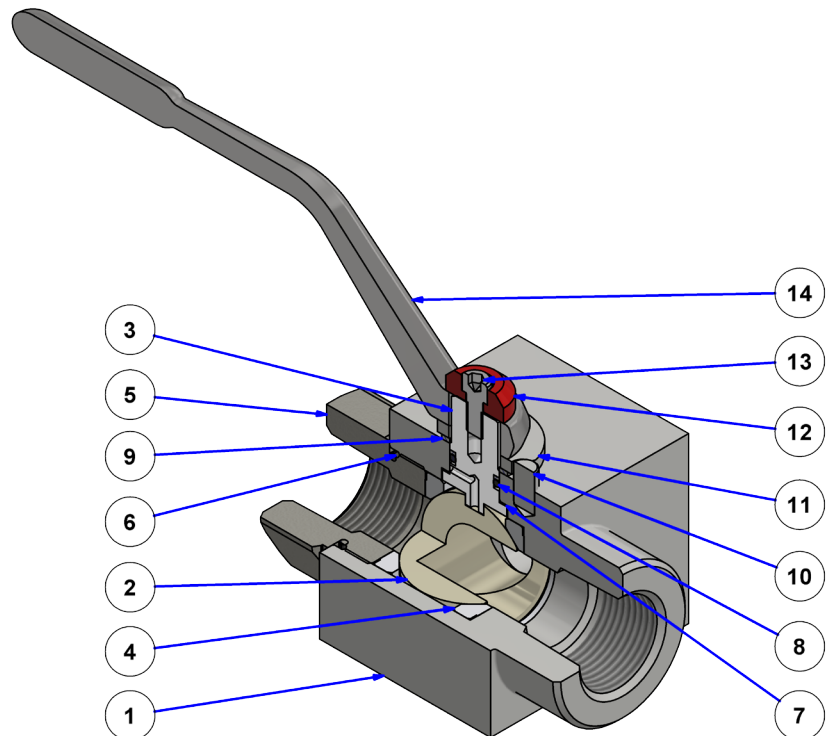
The genuine DMIC **BV3D** is a 3-way, "L-bore" diverter derived from the DMIC **BVH**. DMIC's newest high-end CNC equipment and advancements in manufacturing tolerance control allow the **BV3D** to satisfy many 3-way applications, providing a cost savings relative to a true 3-way valve. Consult DMIC Engineering for more information.

- Stocked with "L-Bore" standard ball; special "T-Bore" option available
- Slight port overlap prevents surprise upstream blowouts during shifting
- **DMIC's Innovative Spindle-Glide™** Design reduces actuation torque & increases valve longevity, especially under actuation
- **Every size can be Panel & Substrate Mounted**
- **Optional Skydrol, High Temp, Near Zero leakage configurations**

Service Parts BOM

BV3D/ BV3DZ	SERVICE PARTS BOM	
Index	Qty	Description
1	1	Valve Body
2	1	Ball
3	1	Spindle
4	2	Ball Seal
5	2*	End Connection(s)
6	2*	End Connection O-Ring(s)
7	1	Internal Thrust Washer
8	1	Spindle O-Ring(s)
9	1	External Glide Washer
10	1	Stop Pin
11	1	Stop Washer
12	1	Color Code Cap
13	1	Handle Screw
14	1	Handle

*Quantity depends on size and configuration



BV3D/BV3DZ STEEL DIVERTER

Ordering Codes Summary

See page 14 for accessory codes



Size Codes	
Code	Port Size
0250	1/4"
0375	3/8"
0500	1/2"
0750	3/4"
1000	1"
1250	1 1/4"
1500	1 1/2"
2000	2"

Call Factory for larger sizes 18"+

Connection Types		SAE Flange Conn	
Imperial Threads		SAE 4-Bolt Companion	
Code	Description	Code	Description
S	SAE ORB	FM	SAE C61 Comp UNC
N	NPT	GM	SAE C61 Comp Metric
J	JIC-Male	-	-
Metric Threads		SAE Split Flanges	
B	BSPP-special	SM	SAE C61 Split Flg Head
T	BSPT (Tapered Pipe)	-	-
ISO Threads		SAE 4 Bolt Standard	
IU	ISO6149	FL	SAE C61 Std UNC/Metric

Please see page 9 for complete connection availability matrix

O-Ring Material	
Code	Description
1	Buna-N (Standard)
2	EPR
3	Viton™

Ball Seal Material	
Code	Description
1	Delrin™
2	PTFE Teflon™ (1500 PSI MAX)
4	High Temp Peek
6	Delrin™ AF (low Friction)

Ball & Spindle Mat'l	
Code	Description
1	Carbon Steel
2	316 Stainless Steel
6	416 Stainless Spindle 316 Stainless Ball

Ball Pattern	
Code	Description
A	L-Bore Diverter
C	T-Bore 90° Action
D	T-Bore 180° Action

Body Material	
Code	Description
1	Carbon Steel
2	Stainless Steel

Note: Changes from Standard Materials may result in changes to temperature and/or pressure rating.

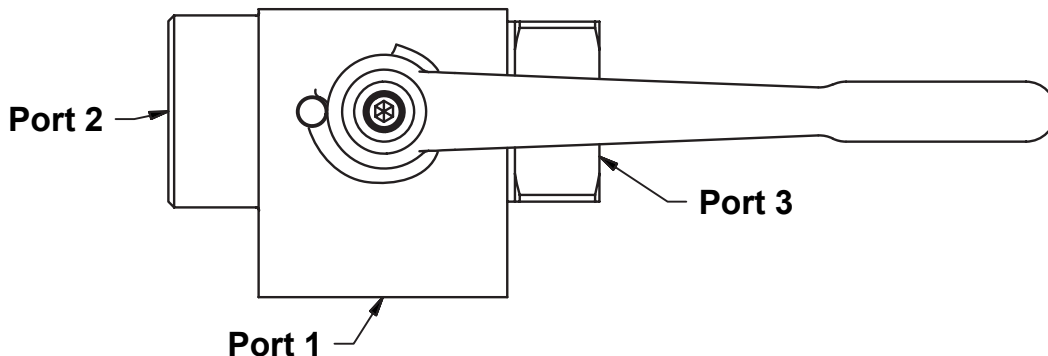
Note: Please refer to page 10 for customizing valve port connections

Q: Can I use a Diverter Valve or do I need a True Multi-Way Valve?

A: The "BV3DZ" version of our diverter valve can take the place of a true multi way valve in many circuits.

Specifically, the question you must ask your application is: "Will pressure ever be applied at port 2 or 3 when the valve is blocked?"

If YES, you must use a "real" 3-way valve, or the "BV3DZ" model. If NO, a Diverter such as "BV3D" or "BV3L" is acceptable.



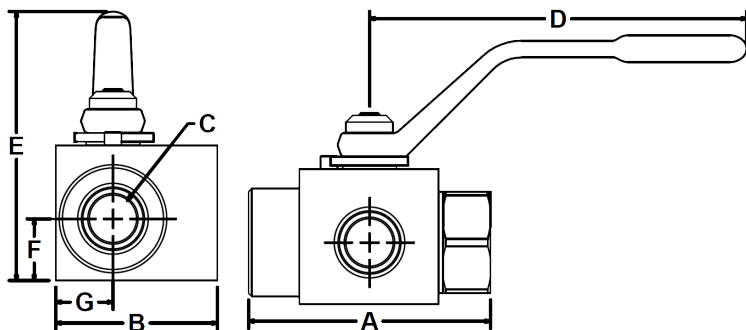
Due to our policy of continual product improvement, the specifications in this catalog may change without notice. When designing by spec, please request a certified print.



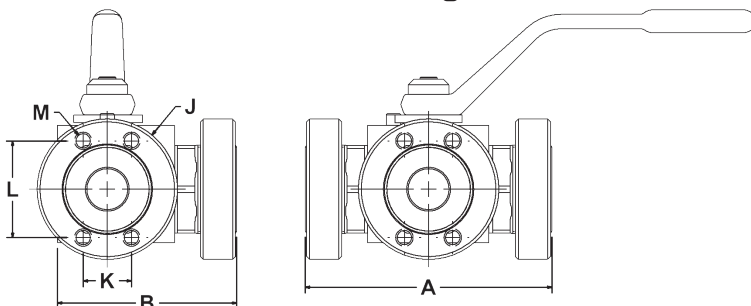
BV3D/BV3DZ STEEL DIVERTER

BV3D/ BV3DZ		Dependent Dimensions			
Threaded Connection					
Dimension (Inches)		A	B		
Port Code(s)	Port Size	Overall Length	Width Port 1		
N	¼"	2.74	2.00		
	⅜"	2.87	2.09		
S	½"	3.36	2.00		
B	¾"	3.82	2.75		
IU	1"	4.49	3.00		
Threaded Connections	1¼"	4.85	3.97		
	1½"	5.33	4.17		
	2"	6.54	5.00		
SAE 4-Bolt Flange Connection					
Dimension (inches)		A	B		
Port Code(s)	Port Size	Overall Length	Width Port 1		
FM/GM SAE 4-Bolt Comp Flange Connections	½"	4.26	2.81		
	¾"	4.77	3.42		
	1"	5.27	3.83		
	1¼"	6.90	5.77		
	1½"	7.09	6.04		
2"	8.06	7.04			
SAE Split Flange Connection					
Dimension (inches)		A	B		
Port Code(s)	Port Size	Overall Length	Width Port 1		
SM SAE Split Connections	½"	5.96	3.66		
	¾"	6.38	4.22		
	1"	6.98	4.69		
	1¼"	7.50	6.07		
	1½"	9.09	7.04		
2"	9.10	7.56			
ANSI & DIN Flange Connection					
Dimension (inches)		-	-		
Port Code(s)	Port Size	Please call Factory to request a Certified Print.			
A*	¾"				
D*	1"				
ANSI & DIN Flange Conn	1¼"				
	1½"				
2"					
Swivel Socket Weld Connection					
Dimension (inches)		A	B	-	-
Port Code(s)	Port Size	Overall Length	Width Port 1	Socket Depth	Socket Diameter
W4 Socket Weld Connections	½"	6.26	3.81	0.75	0.88
	¾"	7.46	4.76	0.75	1.09
	1"	7.67	5.03	1.00	1.36
	1¼"	8.40	6.52	1.00	1.69
	1½"	9.47	7.23	1.00	1.95
2"	10.60	8.31	1.00	2.44	

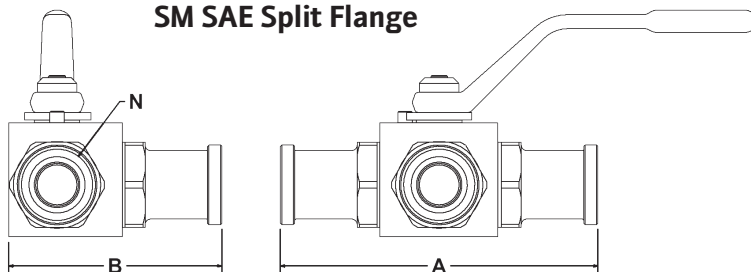
N, S, B, IU THREADED



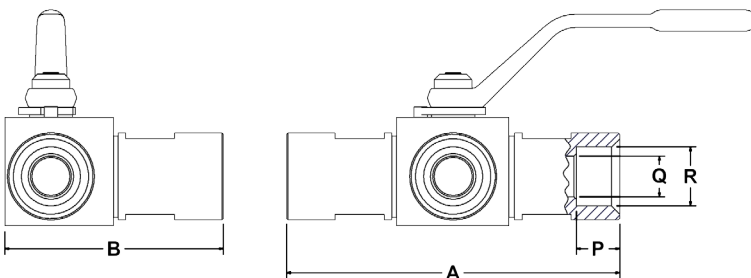
FM/GM SAE 4-Bolt Flange



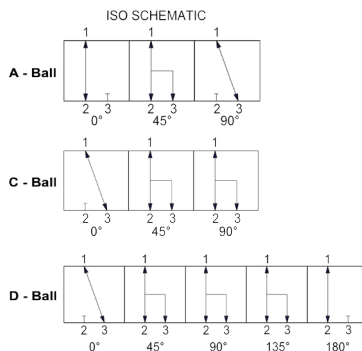
SM SAE Split Flange



W4 Socket Weld Connection



BV3DZ & BV3D Steel Diverter Ball Pattern Schematic

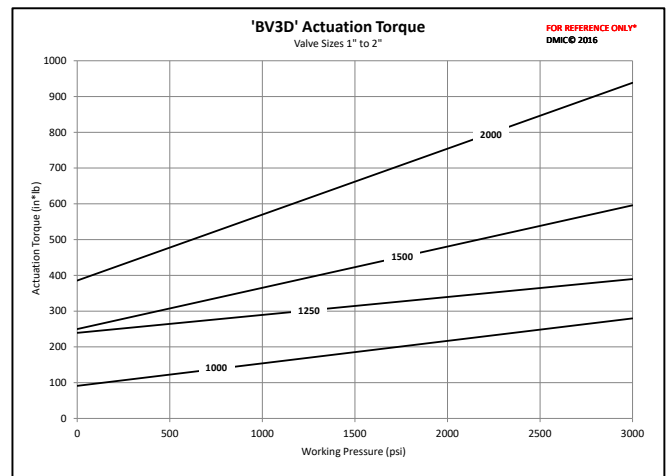
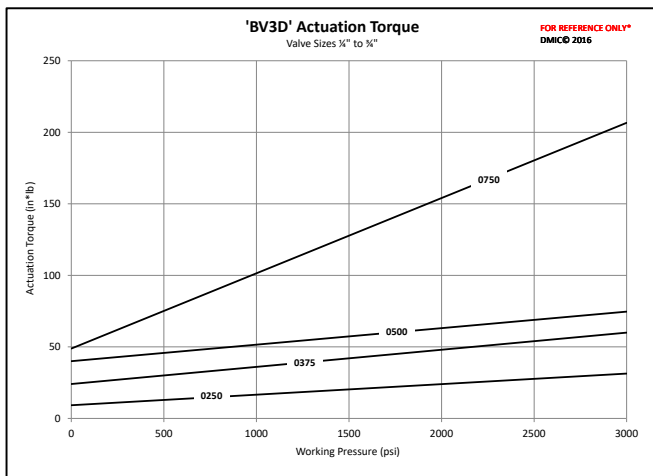
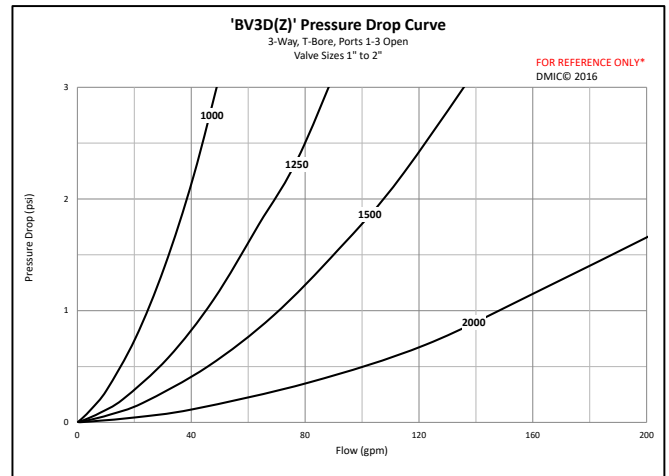
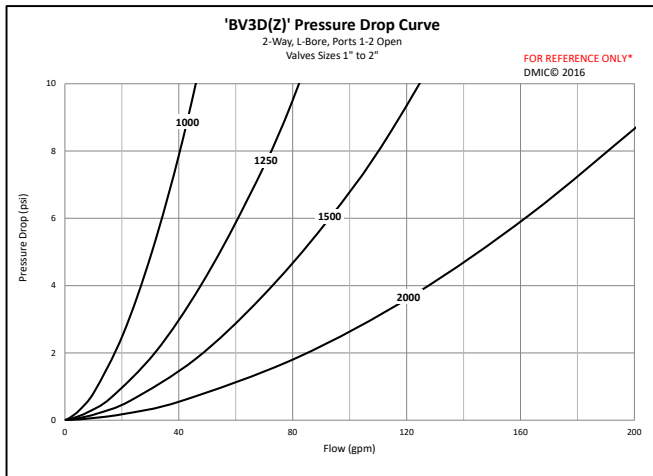
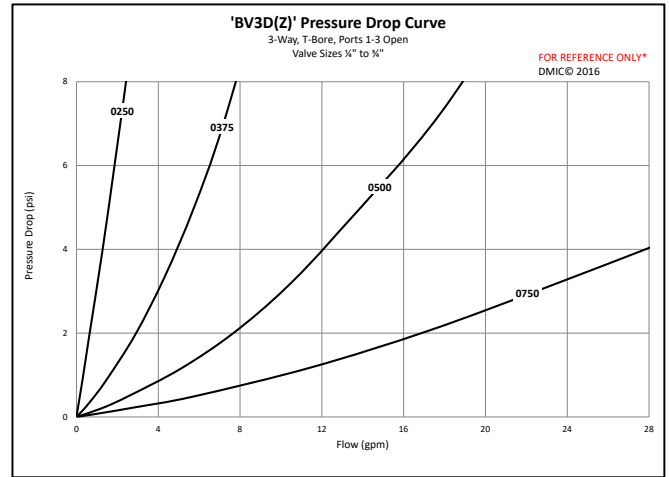
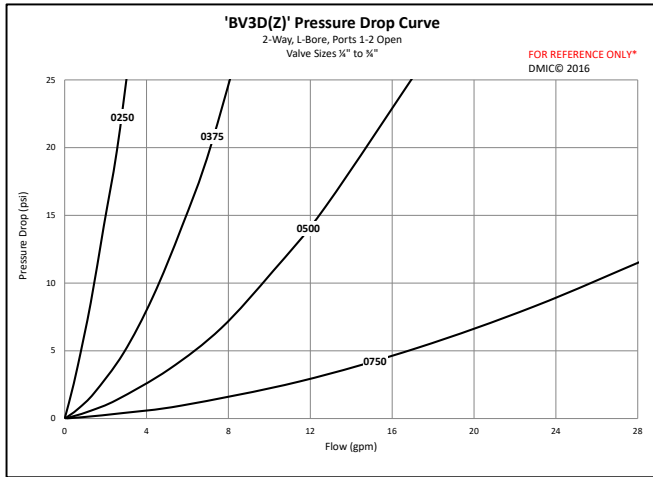


BV3D/ BV3DZ		Common Dimensions					
Part Number	Port Size	Rated Pressure PSI	Dimensions (inches)				
			Valve Bore C	Handle Length D	Overall Height E	Bot To Port Ctr F	Back of body to center G
BV3D-0250****	¼"	3000	0.25	4.50	3.00	0.61	0.60
BV3DZ-0250****							
BV3D-0375****	⅜"		0.31	4.50	3.12	0.64	0.60
BV3DZ-0375****							
BV3D-0500****	½"		0.44	4.50	3.25	0.73	0.70
BV3DZ-0500****							
BV3D-0750****	¾"		0.69	7.00	4.72	1.00	0.94
BV3DZ-0750****							
BV3D-1000****	1"		0.88	7.00	4.97	1.14	1.06
BV3DZ-1000****							
BV3D-1250****	1¼"		1.13	9.86	6.70	1.69	1.58
BV3DZ-1250****							
BV3D-1500****	1½"	1.38	9.86	6.70	1.50	1.63	
BV3DZ-1500****							
BV3D-2000****	2"	1.75	9.86	7.70	2.21	2.00	
BV3DZ-2000****							



BV3D/BV3DZ STEEL DIVERTER

Flow Characteristic and Actuation Torque Curves



Due to our policy of continual product improvement, the specifications in this catalog may change without notice. When designing by spec, please request a certified print.

