

# BVDM DIRECT MOUNT BALL VALVE

## Round Body C.61/62/ANSI/DIN/DMIC

*Mounts between a pressure/inlet port and the connection flange for a low-profile, localized shutoff  
Models for 3000/6000 PSI ~ Sizes from ½" to 2 ½"*

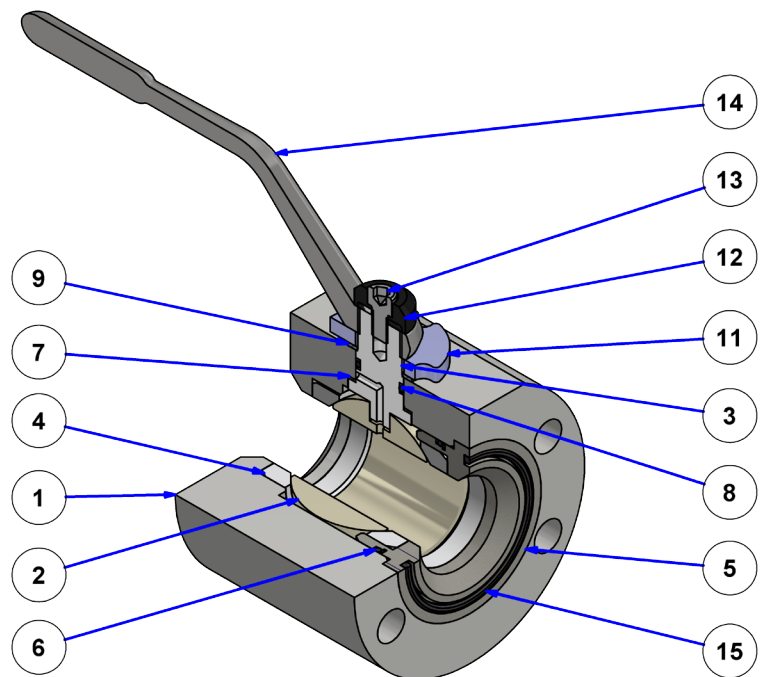


DMIC **BVDM** is the most compact and lowest cost choice when an SAE 4-Bolt or Split Flange Connection is desired. Optional stainless steel construction, wide array of sealing & options.

- **Exclusive DMIC Spindle-Glide Design** features low torque and the high duty cycle durability that differentiates DMIC from ordinary valves
- **Delrin™ Ball Seals** and Buna-N standard elastomer seals, with all DMIC sealing options available for wide fluid compatibility range
- **Reduced bore for 1" + up allows for compact, lightweight design;** all Stainless Steel construction optional, with Buyer's choice of sealing
- Available in aluminum, carbon and stainless steel construction

## Service Parts BOM

BVDM	SERVICE PARTS BOM	
Index	Qty	Description
1	1	Valve Body
2	1	Ball
3	1	Spindle
4	2	Ball Seal
5	1	End Connection
6	1	End Connection O-Ring(s)
7	1	Internal Thrust Washer
8	1	Spindle O-Ring(s)
9	1	External Glide Washer
10	1	Stop Pin (not shown)
11	1	Stop Washer
12	1	Color Code Cap
13	1	Handle Screw
14	1	Handle
15	1	Face O-Ring

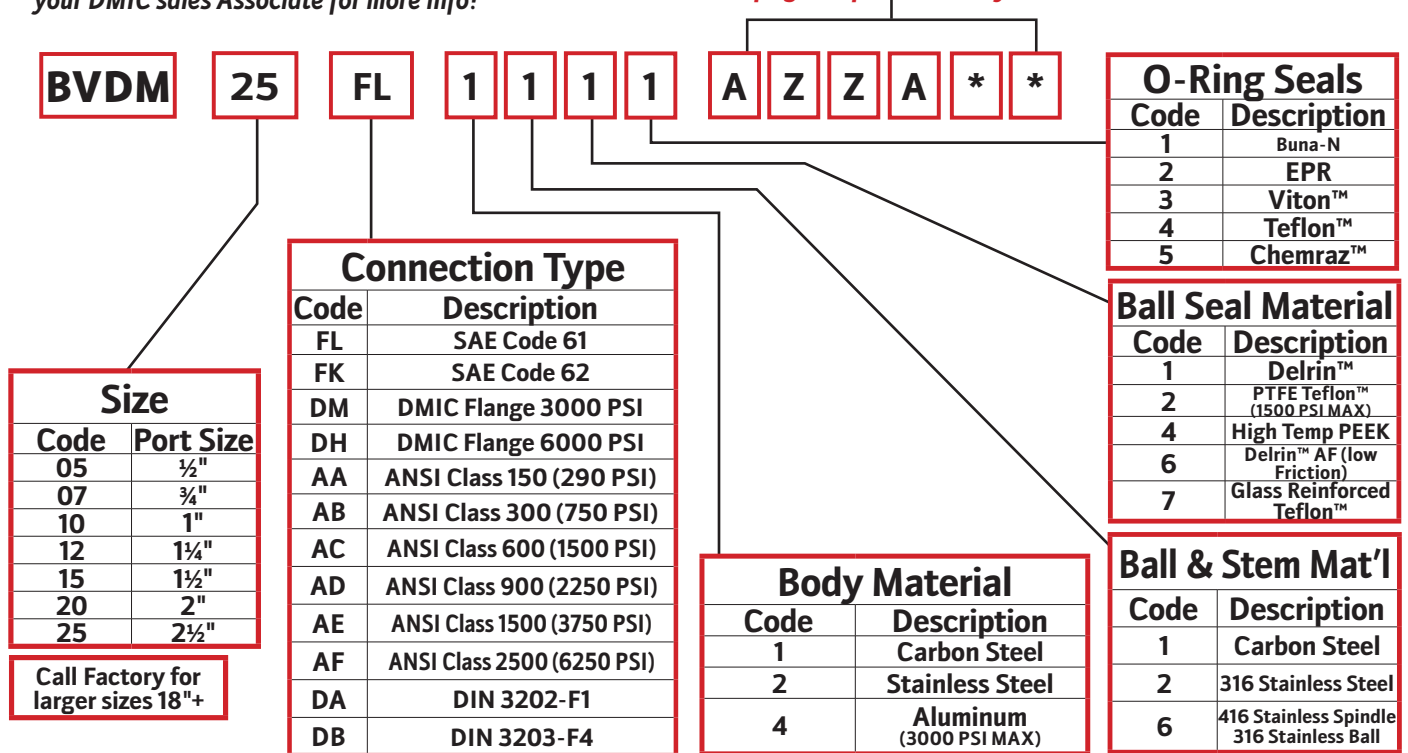


# BVDM DIRECT MOUNT BALL VALVE

## Ordering Codes Summary

*\*Please note: For valves larger than 2", large pressure differentials may make the valve difficult to open and the pressure balance may be required. Ask your DMIC sales Associate for more info!*

See page 14 for accessory codes



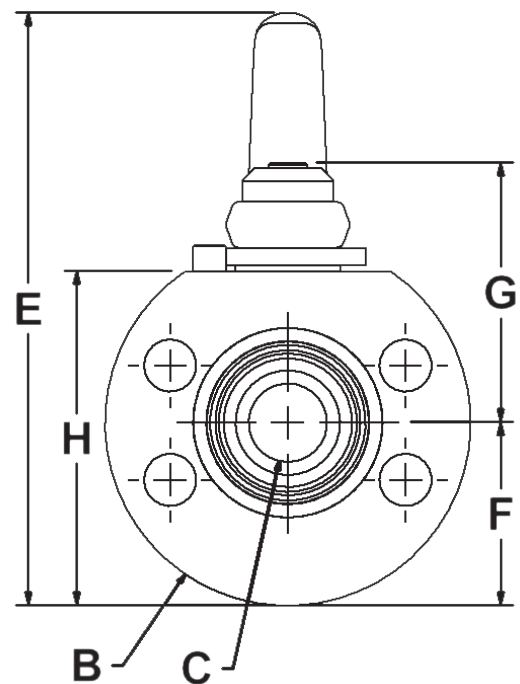
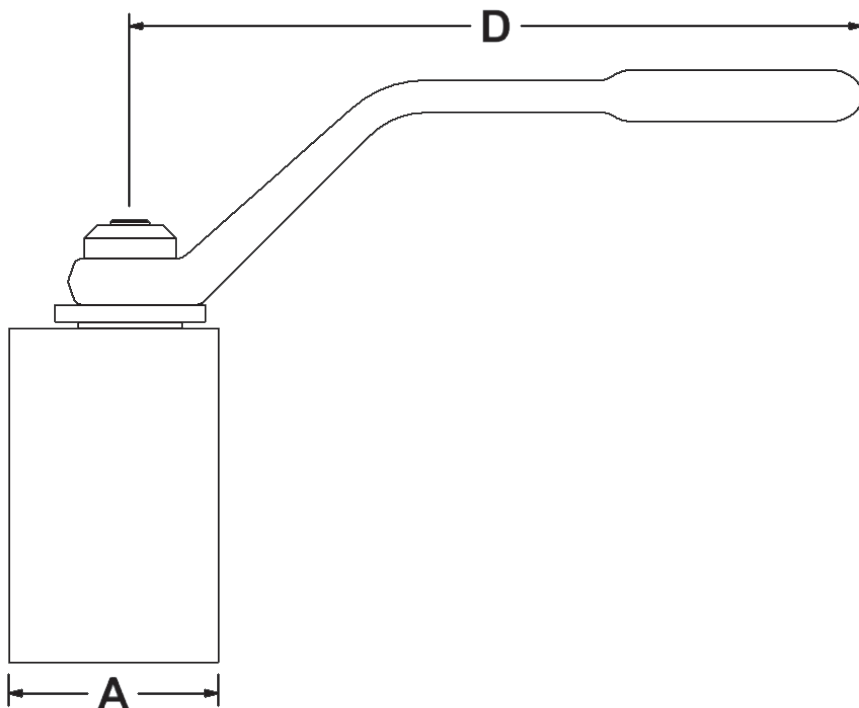
**Note:** Changes from Standard Materials may result in changes to temperature and/or pressure rating.

*Due to our policy of continual product improvement, the specifications in this catalog may change without notice. When designing by spec, please request a certified print.*



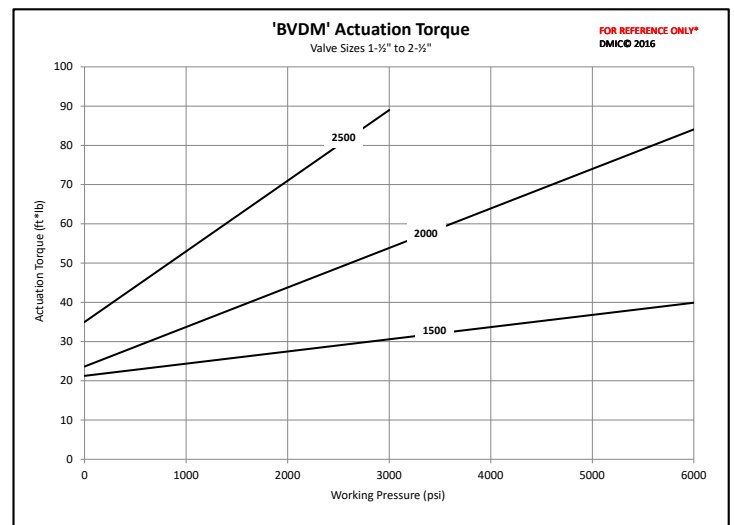
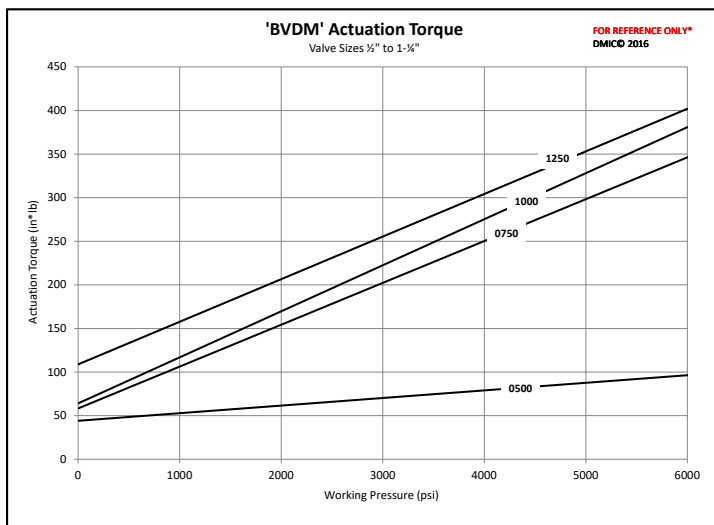
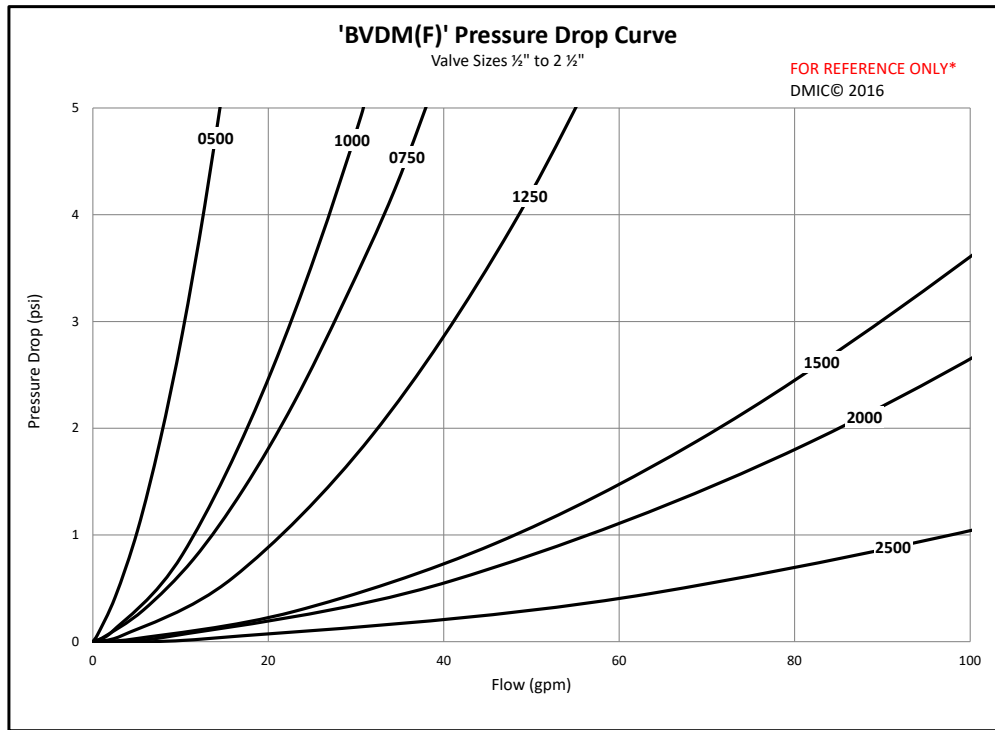
# BVDM DIRECT MOUNT BALL VALVE

BVDM	Port Size	PSI Rating	Dimensions (inches)								
			A	ØB	ØC	D	E	F	G	H	O-Ring
			Valve Length	Valve Width (Dia)	Valve Bore (Dia)	Handle Length	Overall Height	Port Ctr to Bottom	Port Ctr to Top	Valve Height	-
<b>BVDM - **FL Code 61 Direct Mount, Round Body</b>											
BVDM-05FL****	½"	5000 PSI	1.50	2.38	0.50	4.50	3.85	1.19	1.83	2.23	2-210
BVDM-07FL****	¾"		2.00	3.25	0.75	7.00	5.37	1.63	2.31	2.90	2-214
BVDM-10FL****	1"		2.00	3.25	0.75	7.00	5.37	1.63	2.31	2.90	2-219
BVDM-12FL****	1¼"	4000 PSI	2.25	3.75	0.94	7.00	5.97	1.88	2.66	3.50	2-222
BVDM-15FL****	1½"	3000 PSI	2.75	4.25	1.25	9.86	7.11	2.13	3.11	3.91	2-225
BVDM-20FL****	2"		3.50	4.50	1.50	9.86	7.41	2.25	3.29	4.22	2-228
BVDM-25FL****	2½"	2500 PSI	4.00	5.00	1.88	9.86	7.97	2.50	3.59	4.76	2-232
<b>BVDM - **FK Code 62 Direct Mount, Round Body, 6000 PSI</b>											
BVDM-05FK****	½"	6000 PSI	1.50	2.50	0.50	4.50	3.92	1.25	1.83	2.30	2-210
BVDM-07FK****	¾"		2.00	3.25	0.75	7.00	5.37	1.63	2.31	2.90	2-214
BVDM-10FK****	1"		2.00	3.50	0.75	7.00	5.67	1.75	2.48	3.20	2-219
BVDM-12FK****	1¼"		2.25	4.00	0.94	7.00	6.10	2.00	3.68	3.62	2-222
BVDM-15FK****	1½"		2.75	5.00	1.25	9.86	7.94	3.57	3.51	4.75	2-225
BVDM-20FK****	2"		3.50	5.50	1.50	9.86	8.23	2.75	3.61	5.04	2-228
BVDM-25FK****	2½"		CALL FACTORY								



# BVDM DIRECT MOUNT BALL VALVE

## Flow Characteristic and Actuation Torque Curves



**Due to our policy of continual product improvement, the specifications in this catalog may change without notice. When designing by spec, please request a certified print.**

