

# BVHH SUPER HIGH PRESSURE 10,000 PSI

Next generation design substantially strengthened for durability and engineering factor ~ Sizes from ½" - 2"

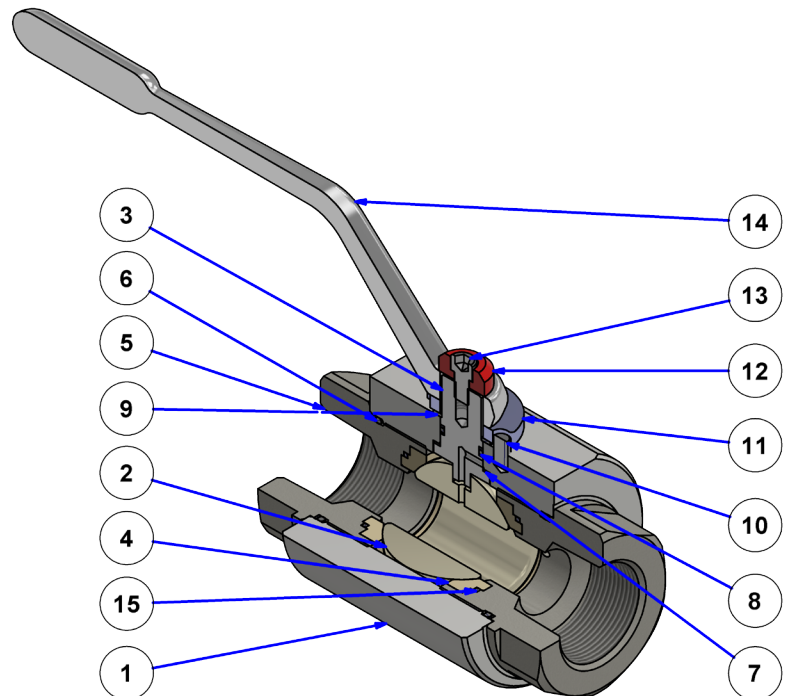


- Special Ball Seals and heavy duty construction, superior to traditional ball seal ring reinforcement designs; Assures shutoff capability
- Accepts many standard DMIC Accessories and a selection of custom **BVHH** Valve Options
- Standard Buna-N sealing

## Service Parts BOM

BVHH	SERVICE PARTS BOM	
Index	Qty	Description
1	1	Valve Body
2	1	Ball
3	1	Spindle
4	2	Ball Seal
5	1*	End Connection(s)
6	1*	End Connection O-Ring(s)
7	1	Internal Thrust Washer
8	1	Spindle O-Ring(s)
9	1	External Glide Washer
10	1	Stop Pin
11	1	Stop Washer
12	1	Color Code Cap
13	1	Handle Screw
14	1	Handle
15	2*	Ball Seal O-Ring(s)

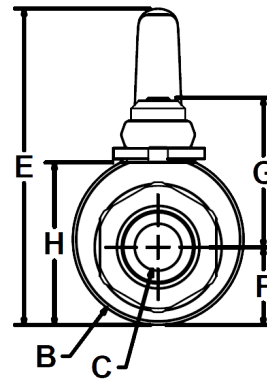
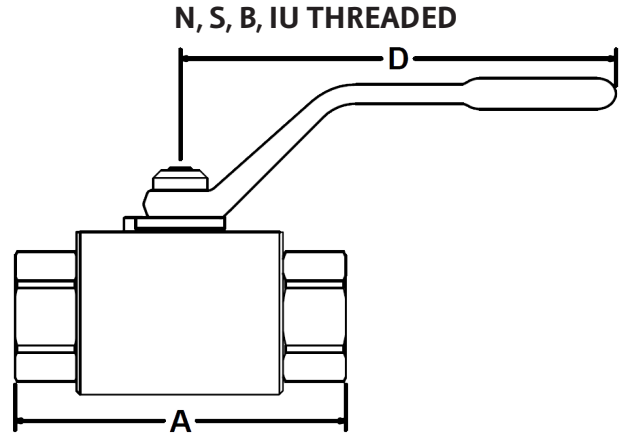
\*Quantity depends on size and configuration



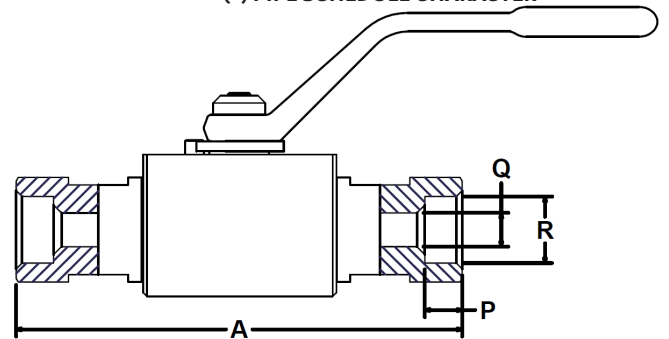


# BVHH SUPER HIGH PRESSURE 10,000 PSI

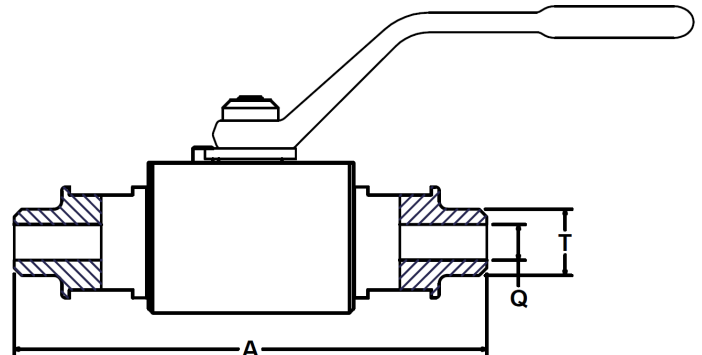
BVHH		Dependent Dimensions							
<i>Dimensions B,C,D,E,F,G,H are common dimensions</i>									
<b>Threaded Connections</b>									
Dimension (Inches)		A	B	C	D	E	F	G	H
Port Code(s)	Port Size	Overall Length	Body Diameter	Bore Size	Handle Length	Overall Height	Center to Valve Bot	Center to Valve top	Valve Height
N S B IU  Threaded Connections	½"	4.22	1.75	0.38	4.50	3.26	0.75	1.69	1.67
	¾"	4.72	2.5	0.56	7.00	4.84	1.11	2.29	2.37
	1"	5.32	2.75	0.75	7.00	5.08	1.25	2.40	2.61
	1¼"	6.20	3.50	0.90	9.86	6.52	1.54	3.10	3.32
	1½"	6.21	4.00	1.13	9.86	6.92	1.72	3.33	3.72
2"	7.34	5.00	1.50	9.86	7.99	2.50	3.62	4.79	
<b>Socket Weld End Connections</b>									
Dimension (inches)		A	C	P	Q	R			
Port Code(s)	Port Size	Overall Length	Bore Size	Socket Depth	Connection Inside Diameter	Inside Socket, Outer Diameter			
W* SCH.X Socket Weld End Connections	½"	6.72	0.38	0.75	Based Upon Pipe Sch.	0.88			
	¾"	7.47	0.56	0.63		1.10			
	1"	8.25	0.75	0.98		1.35			
	1¼"	8.95	0.90	1.00		1.69			
	1½"	9.03	1.13	1.00		1.97			
	2"	11.41	1.50	1.00		2.42			
<b>Butt Weld End Connections</b>									
Dimension (inches)		A	C	Q	T				
Port Code(s)	Port Size	Overall Length	Bore Size	Connections Inside Dia.	Connection Outside Dia.				
WB* SCH.X Butt Weld End Connections	½"	6.22	0.38	Based Upon Pipe Sch.	0.84				
	¾"	7.47	0.56		1.05				
	1"	8.25	0.75		1.31				
	1¼"	8.95	0.90		1.66				
	1½"	9.03	1.13		1.91				
	2"	11.41	1.50		2.38				



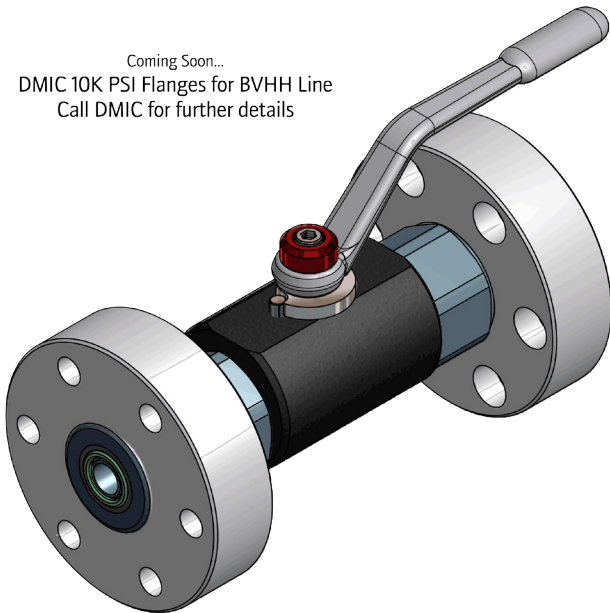
**W(\*) FIXED SOCKET WELD**  
(\* PIPE SCHEDULE CHARACTER)



**WB(\*) FIXED BUTT WELD**  
(\* PIPE SCHEDULE CHARACTER)

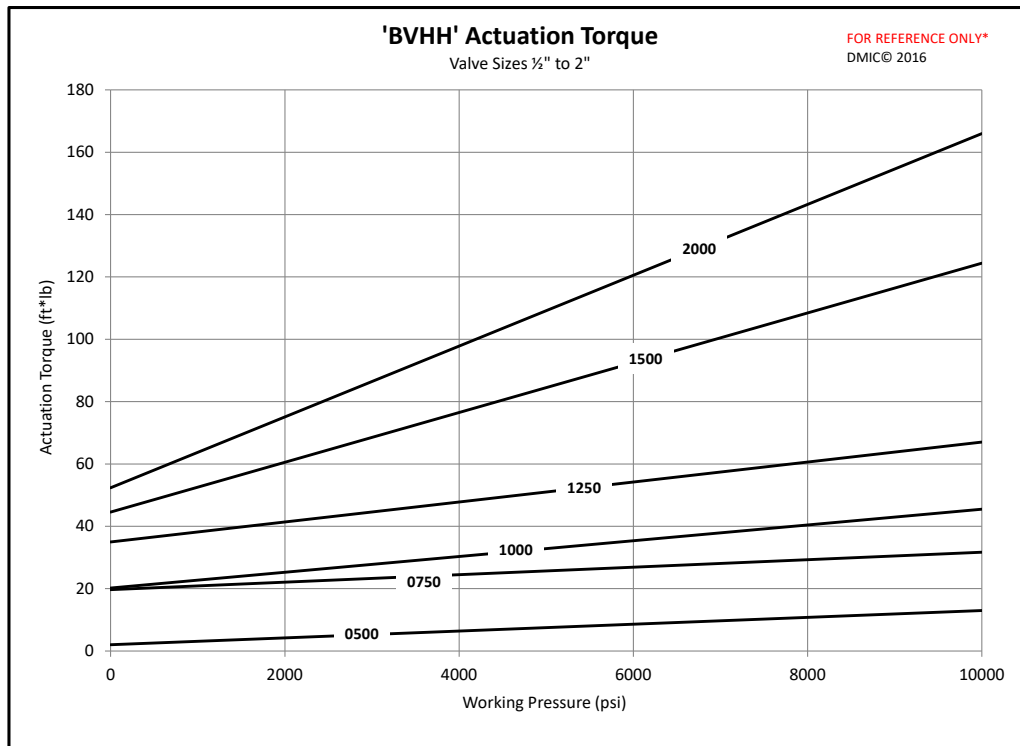
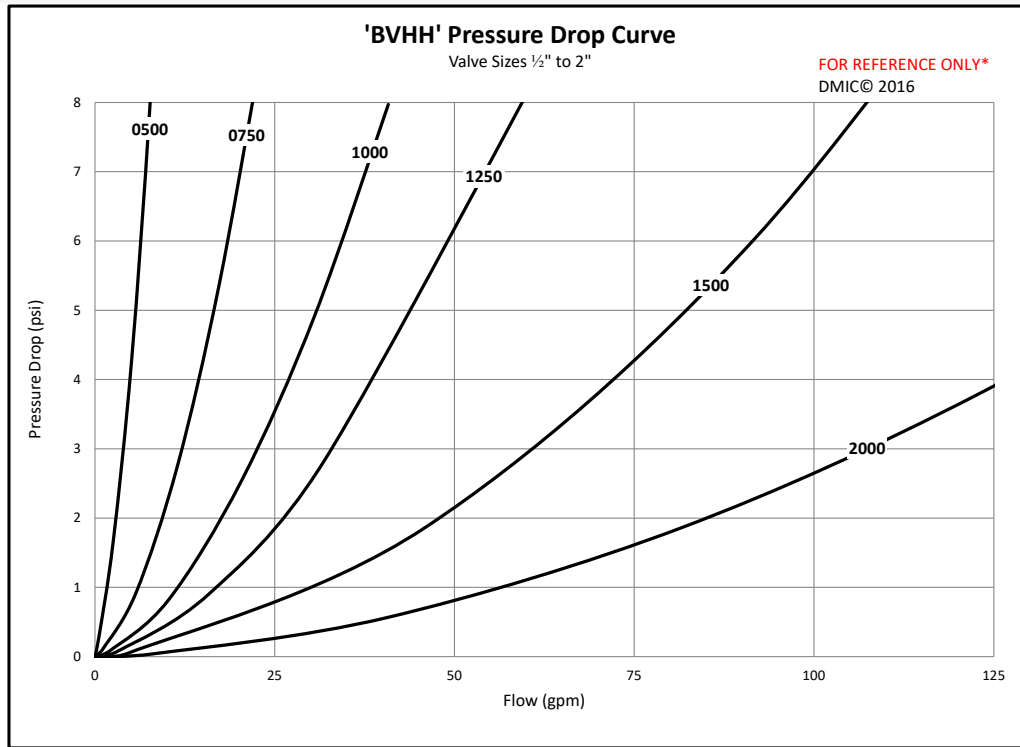


Coming Soon...  
DMIC 10K PSI Flanges for BVHH Line  
Call DMIC for further details



# BVHH SUPER HIGH PRESSURE 10,000 PSI

## Flow Characteristic and Actuation Torque Curves



**Due to our policy of continual product improvement, the specifications in this catalog may change without notice. When designing by spec, please request a certified print.**

