

BVLS LOW PRESSURE

1000 PSI MAX; NPT/SAE/BSPP ; PTFE Ball Seals
 ¼" to 2" size

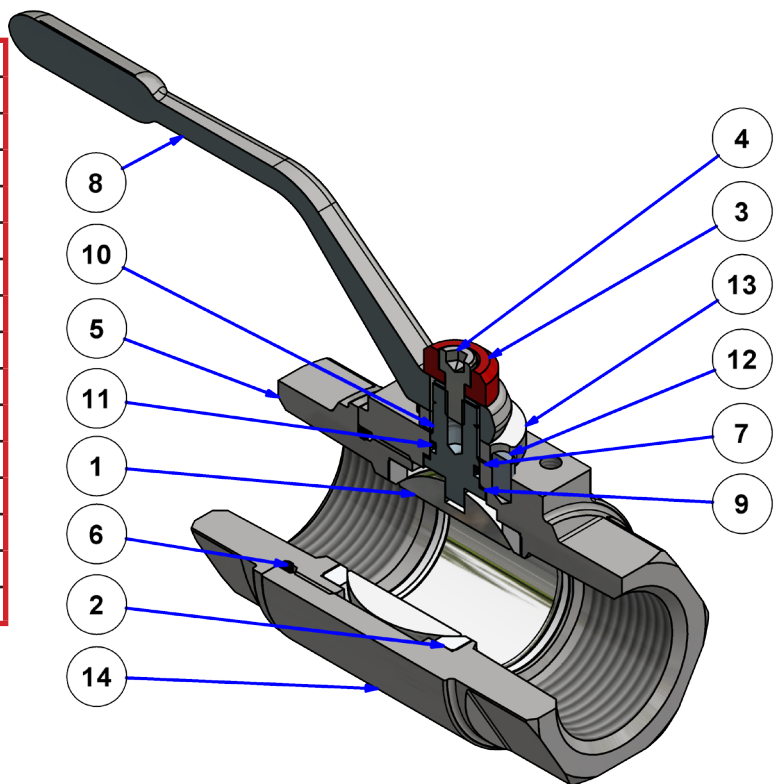


DMIC's BVLS Series provide a cost effective, durable, high quality ball valve solution for 1000 psi systems.

- 1000 psi MAWP for Water, Oil and Gas (WOG).
- Designed for temperature -20 to 400°F [-29 to 204°C].
- All stainless steel construction.
- NACE MR0175 Compliant.
- CRN approval for all Canadian Provinces.
- Low frictions seals for low actuation torque.
- Actuation and Panel mounting provisions available.
- Fire safe versions available.
- Meets API 6D and API 598 pressure tests.

Valve Cutaway View & Service Parts BOM

BVLS Index	Qty	SERVICE PARTS BOM Description
1	1	Ball
2	2	Ball Seal
3	1	Color Code Cap
4	1	Color Code Cap Screw
5	1	End Connection
6	1	End Connection O-Ring
7	1	External Glide Washer
8	1	Handle
9	1	Internal Thrust Washer
10	1	Shaft
11	1	Shaft O-Ring
12	1	Stop Pin
13	1	Stop Washer
14	1	Valve Body



BVLS LOW PRESSURE

Ordering Codes Summary

See page 14 for accessory codes

BVLS ** S 2 2 2 3 * * * * ***

Size Codes	
Code	Port Size
0250	¼"
0375	⅜"
0500	½"
0750	¾"
1000	1"
1250	1¼"
1500	1½"
2000	2"

Connection Types	
Imperial Threads	
Code	Description
S	SAE ORB
N	NPT
Metric Threads	
B	BSPP

Body Material	
Code	Description
2	316 Stainless

Ball & Spindle Mat'l	
Code	Description
2	316 Stainless

Seals, Bushings, Washers	
Code	Description
2	PTFE Teflon™ - ¼" - ¾" Standard
7	Glass filled PTFE - 1" - 2" Standard

O-Ring Material	
Code	Description
3	Viton™ (Standard)

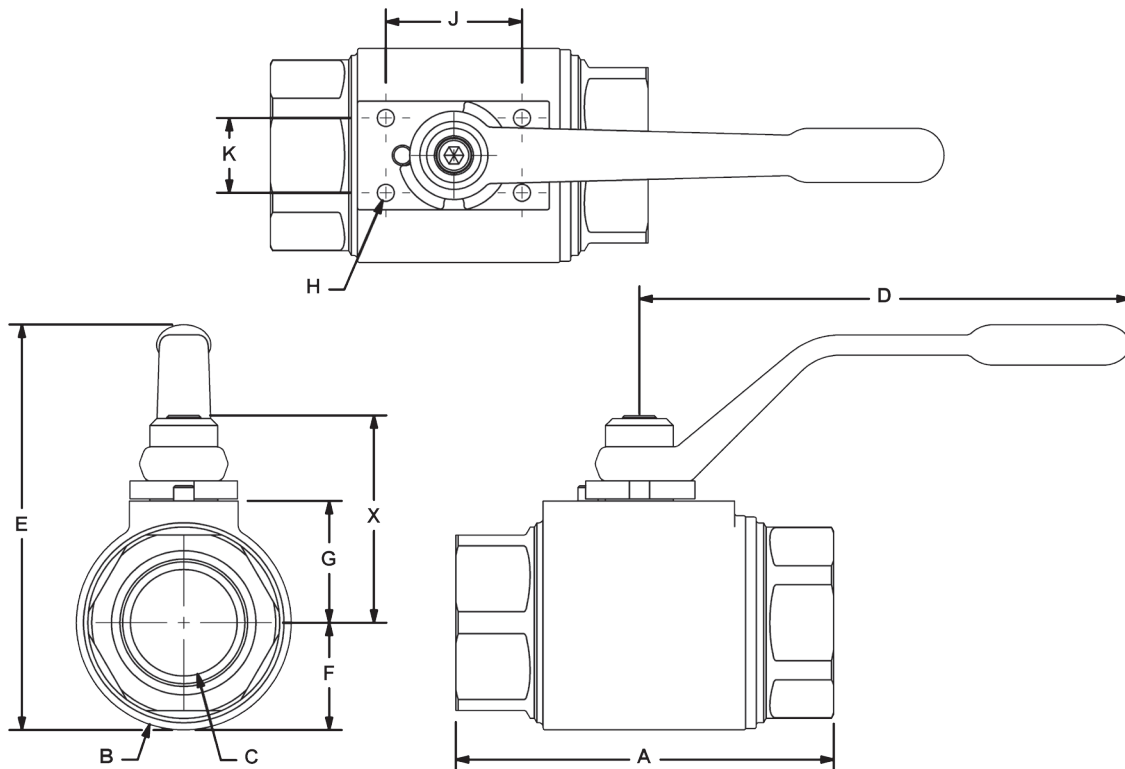
Note: Changes from Standard Materials may result in changes to temperature and/or pressure rating.

Due to our policy of continual product improvement, the specifications in this catalog may change without notice. When designing by spec, please request a certified print.



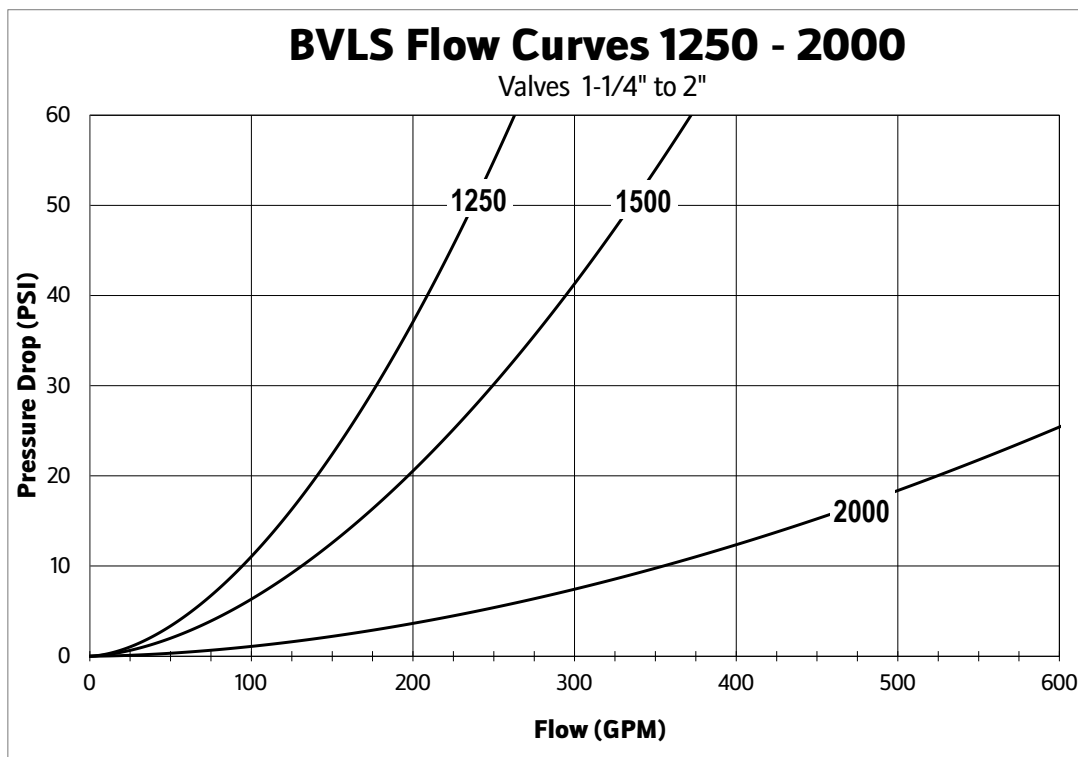
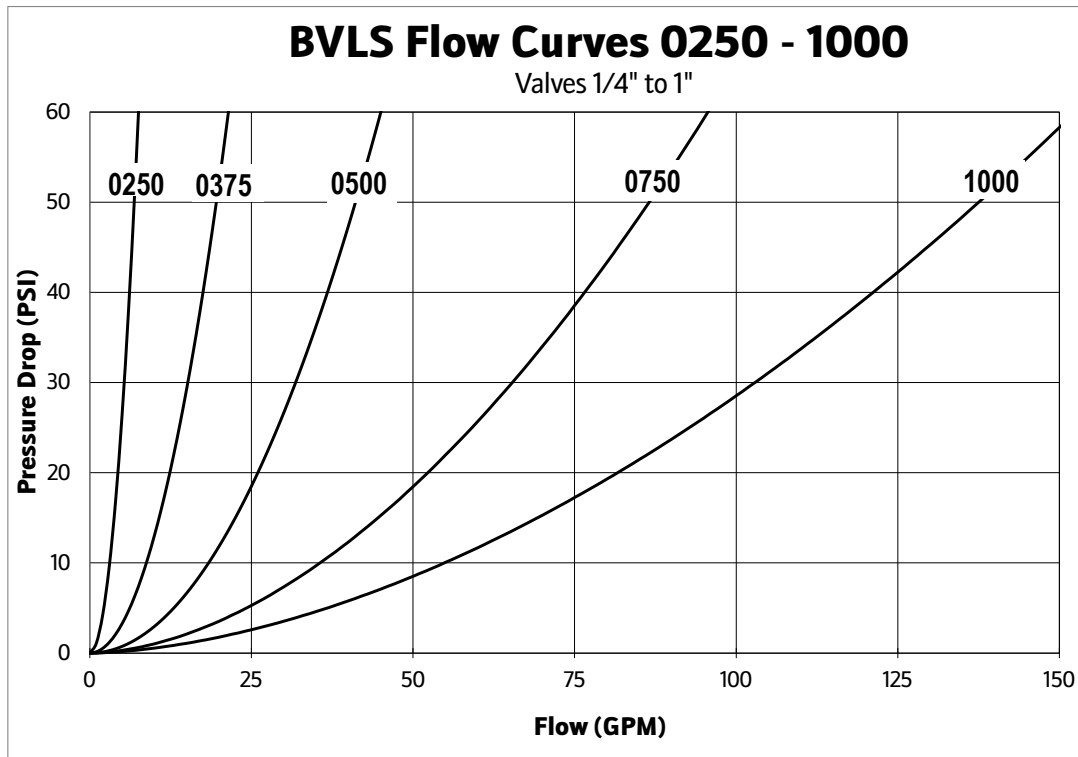
BVLS LOW PRESSURE

BVLS	Port Size	Dimensions										
		A Length	B Valve Body O.D.	C Bore DIA	D Handle Length	E Overall Height	F Center Height	G Center To Top	H MTG Holes	J MTG Hole	K MTG Hole	X Center To Top
BVLS0250	¼"	2.63	1.40	0.43	4.50	3.18	0.70	0.87	#8-32	1.00	.88	1.66
BVLS0375	⅜"	2.63	1.40	0.50	4.50	3.18	0.70	0.87	#8-32	1.00	.88	1.66
BVLS0500	½"	2.63	1.40	0.55	4.50	3.18	0.70	0.87	#8-32	1.00	.88	1.66
BVLS0750	¾"	3.27	1.71	0.75	4.50	3.46	0.86	1.00	#10-32	1.25	.69	1.78
BVLS1000	1"	3.47	1.97	0.98	4.50	3.72	0.99	1.12	#10-32	1.25	.69	1.91
BVLS1250	1¼"	3.90	2.65	1.25	7.00	5.27	1.33	1.47	¼-28	1.75	1.00	2.51
BVLS1500	1½"	4.32	3.23	1.50	7.00	5.80	1.62	1.71	¼-28	1.75	1.00	2.75
BVLS2000	2"	4.90	3.84	1.97	7.00	6.40	1.92	2.01	¼-28	1.75	1.00	3.05



BVLS LOW PRESSURE

Flow Characteristic and Actuation Torque Curves



Due to our policy of continual product improvement, the specifications in this catalog may change without notice. When designing by spec, please request a certified print.

