

Code 61 Threaded 4-Bolt

For imperial SAE Flange spec; NPT-F & SAE-F ports
Standard & Companion ~ Full & Reduced Port models



DMIC's FL series of Forged Steel 4-Bolt flanges are chosen by quality oriented Engineers & Designers for superior strength and elimination of porosity problems. DMIC stocks thousands of Forged Steel flanges in full port and reduced port versions for rapid shipment.

- Sizes from 1/2" through 4", full port and one-size-reduced port models
- Extensive stock of "Standard" and "Companion" types in NPT & SAE
- Available in Stainless Steel; production leadtime may apply
- DMIC "Standard" flanges designed to accept either UNC or metric bolts

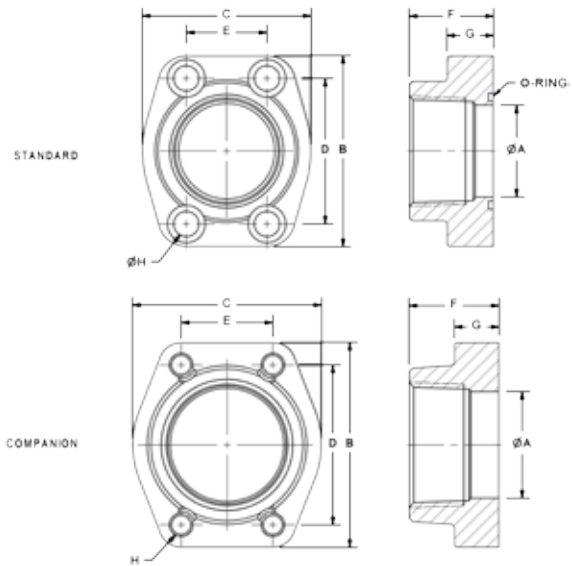
Standard Code 61 Threaded 4-Bolt Flanges (with O-Ring Groove)

Standard Flange Part Number	Size		Working PSI	Dimensions (inches)									O-Ring
	Flange Pad	Port Thread		A	B	C	D	E	F	G	H	lbs.	
FL4SU-NSN (NPT-F Thread, Standard, C.61)													
FL4SU-0500NSN	1/2"	1/2" NPT	5000	0.51	2.24	1.81	1.50	0.69	1.42	0.63	0.35	0.55	2-210
FL4SU-0750NSN	3/4"	3/4" NPT	5000	0.75	2.56	1.97	1.88	0.88	1.42	0.71	0.43	0.82	2-214
FL4SU-1000NSN	1"	1" NPT	5000	0.98	2.76	2.17	2.06	1.03	1.50	0.71	0.43	0.99	2-219
FL4SU-1250NSN	1 1/4"	1 1/4" NPT	4000	1.26	3.11	2.68	2.31	1.19	1.61	0.83	0.45	1.46	2-222
FL4SU-1500NSN	1 1/2"	1 1/2" NPT	3000	1.50	3.66	3.07	2.75	1.41	1.77	0.98	0.53	2.31	2-225
FL4SU-2000NSN	2"	2" NPT	3000	2.01	4.02	3.54	3.06	1.69	1.77	0.98	0.53	2.58	2-228
FL4SU-2500NSN	2 1/2"	2 1/2" NPT	2500	2.48	4.49	4.13	3.50	2.00	1.97	0.98	0.53	3.51	2-232
FL4SU-3000NSN	3"	3" NPT	2000	2.87	5.28	4.88	4.19	2.44	1.97	1.06	0.69	5.03	2-237
FL4SU-3500NSN	3 1/2"	3 1/2" NPT	500	3.50	5.98	5.35	4.75	2.75	1.89	1.06	0.69	5.34	2-241
FL4SU-4000NSN	4"	4" NPT	500	3.90	6.38	5.75	5.13	3.06	1.89	1.06	0.69	6.13	2-245
FL4SU-SSN (SAE-F Thread, Standard, C.61)													
FL4SU-0500SSN	1/2"	1/2" SAE	5000	0.51	2.24	1.81	1.50	0.69	1.42	0.63	0.35	0.55	2-210
FL4SU-0750SSN	3/4"	3/4" SAE	5000	0.75	2.56	1.97	1.88	0.88	1.42	0.71	0.43	0.82	2-214
FL4SU-1000SSN	1"	1" SAE	5000	0.98	2.76	2.17	2.06	1.03	1.50	0.71	0.43	0.99	2-219
FL4SU-1250SSN	1 1/4"	1 1/4" SAE	4000	1.26	3.11	2.68	2.31	1.19	1.61	0.83	0.45	1.46	2-222
FL4SU-1500SSN	1 1/2"	1 1/2" SAE	3000	1.50	3.66	3.07	2.75	1.41	1.77	0.98	0.53	2.31	2-225
FL4SU-2000SSN	2"	2" SAE	3000	2.01	4.02	3.54	3.06	1.69	1.77	0.98	0.53	2.58	2-228
FLRSU-NSN (Reduced Port NPT-F Thread, Standard, C.61)													
FLRSU-0500NSN	1/2"	3/8" NPT	5000	0.51	2.24	1.81	1.50	0.69	1.42	0.63	0.35	0.60	2-210
FLRSU-0750NSN	3/4"	1/2" NPT	5000	0.51	2.56	1.97	1.88	0.88	1.42	0.71	0.43	0.88	2-214
FLRSU-1000NSN	1"	3/4" NPT	5000	0.75	2.76	2.17	2.06	1.03	1.38	0.83	0.43	1.12	2-219
FLRSU-1250NSN	1 1/4"	1" NPT	4000	0.98	3.19	2.56	2.31	1.19	1.65	0.98	0.45	1.76	2-222
FLRSU-1500NSN	1 1/2"	1 1/4" NPT	3000	1.26	3.74	3.07	2.75	1.41	1.77	1.06	0.53	2.58	2-225
FLRSU-2000NSN	2"	1 1/2" NPT	3000	1.50	4.02	3.54	3.06	1.69	1.77	0.98	0.53	3.35	2-228
FLRSU-SSN (Reduced Port SAE-F Thread, Standard, C.61)													
FLRSU-0500SSN	1/2"	3/8" SAE	5000	0.51	2.24	1.81	1.50	0.69	1.42	0.63	0.35	0.60	2-210
FLRSU-0750SSN	3/4"	1/2" SAE	5000	0.51	2.56	1.97	1.88	0.88	1.42	0.71	0.43	0.88	2-214
FLRSU-1000SSN	1"	3/4" SAE	5000	0.75	2.76	2.17	2.06	1.03	1.38	0.83	0.43	1.12	2-219
FLRSU-1250SSN	1 1/4"	1" SAE	4000	0.98	3.19	2.56	2.31	1.19	1.65	0.98	0.45	1.76	2-222
FLRSU-1500SSN	1 1/2"	1 1/4" SAE	3000	1.26	3.74	3.07	2.75	1.41	1.77	1.06	0.53	2.58	2-225
FLRSU-2000SSN	2"	1 1/2" SAE	3000	1.50	4.02	3.54	3.06	1.69	1.77	0.98	0.53	3.35	2-228



Ordering Codes Summary

FL		4S	U	- 3500 -		N	S	N
Type		4S	Full Port					
RS		Reduced Port						
Configuration		U	Standard Flange					
C		Companion Flange						
Size		Expressed in 1/1000" units						
Port Thread		N	NPT-F					
S		SAE-F						
Material		S	Forged Steel					
Z		Stainless Steel						
Hardware Kit Easy Order		N	Flange Only					
K		Add Hardware Kit for this flange (See Page 16 for Options)						



Due to our policy of continual product improvement, the specifications in this catalog may change without notice. When designing by spec, please request a certified print.

Companion Code 61 Threaded 4-Bolt Flanges (with Tapped Bolt Holes)

Companion Flange Part Number	Size		Working PSI	Dimensions (inches)								
	Flange Pad	Port Thread		A	B	C	D	E	F	G	H (UNC)	Ibs.
FL4SC-NSN (NPT-F Thread, Companion, C.61)												
FL4SC-0500NSN	1/2"	1/2" NPT	5000	0.51	2.13	1.81	1.50	0.69	1.42	0.63	5/16"	0.57
FL4SC-0750NSN	3/4"	3/4" NPT	5000	0.75	2.56	1.97	1.88	0.88	1.42	0.71	3/8"	0.90
FL4SC-1000NSN	1"	1" NPT	5000	0.98	2.76	2.17	2.06	1.03	1.50	0.71	3/8"	1.08
FL4SC-1250NSN	1 1/4"	1 1/4" NPT	4000	1.26	3.11	2.68	2.31	1.19	1.61	0.83	7/16"	1.56
FL4SC-1500NSN	1 1/2"	1 1/2" NPT	3000	1.50	3.66	3.07	2.75	1.41	1.77	0.98	1/2"	2.46
FL4SC-2000NSN	2"	2" NPT	3000	2.01	4.02	3.54	3.06	1.69	1.77	0.98	1/2"	2.73
FL4SC-2500NSN	2 1/2"	2 1/2" NPT	2500	2.48	4.49	4.13	3.50	2.00	1.97	0.98	1/2"	3.65
FL4SC-3000NSN	3"	3" NPT	2000	2.87	5.28	4.88	4.19	2.44	1.97	1.06	5/8"	5.21
FL4SC-3500NSN	3 1/2"	3 1/2" NPT	500	3.50	5.98	5.35	4.75	2.75	1.89	1.06	5/8"	5.52
FL4SC-4000NSN	4"	4" NPT	500	3.90	6.38	5.75	5.13	3.06	1.89	1.06	5/8"	6.31
FL4SC-SSN (SAE-F Thread, Companion, C.61)												
FL4SC-0500SSN	1/2"	1/2" SAE	5000	0.51	2.24	1.81	1.50	0.69	1.42	0.63	5/16"	0.57
FL4SC-0750SSN	3/4"	3/4" SAE	5000	0.75	2.56	1.97	1.88	0.88	1.42	0.71	3/8"	0.90
FL4SC-1000SSN	1"	1" SAE	5000	0.98	2.76	2.17	2.06	1.03	1.50	0.71	3/8"	1.08
FL4SC-1250SSN	1 1/4"	1 1/4" SAE	4000	1.26	3.11	2.68	2.31	1.19	1.61	0.83	7/16"	1.57
FL4SC-1500SSN	1 1/2"	1 1/2" SAE	3000	1.50	3.66	3.07	2.75	1.41	1.77	0.98	1/2"	2.47
FL4SC-2000SSN	2"	2" SAE	3000	2.01	4.02	3.54	3.06	1.69	1.77	0.98	1/2"	2.73
FLRSC-NSN (Reduced Port NPT-F, Companion, C.61)												
FLRSC-0500SSN	1/2"	3/8" NPT	5000	0.51	2.24	1.81	1.50	0.69	1.42	0.63	5/16"	0.62
FLRSC-0750SSN	3/4"	1/2" NPT	5000	0.51	2.56	1.97	1.88	0.88	1.42	0.71	3/8"	0.97
FLRSC-1000SSN	1"	3/4" NPT	5000	0.75	2.76	2.17	2.06	1.03	1.38	0.83	3/8"	1.21
FLRSC-1250SSN	1 1/4"	1" NPT	4000	0.98	3.19	2.56	2.31	1.19	1.65	0.98	7/16"	1.87
FLRSC-1500SSN	1 1/2"	1 1/4" NPT	3000	1.26	3.74	3.07	2.75	1.41	1.77	1.06	1/2"	2.73
FLRSC-2000SSN	2"	1 1/2" NPT	3000	1.50	4.02	3.54	3.06	1.69	1.77	0.98	1/2"	3.51
FLRSC-SSN (Reduced Port SAE-F, Companion, C.61)												
FLRSC-0500SSN	1/2"	3/8" SAE	5000	0.51	2.24	1.81	1.50	0.69	1.42	0.63	5/16"	0.62
FLRSC-0750SSN	3/4"	1/2" SAE	5000	0.51	2.56	1.97	1.88	0.88	1.42	0.71	3/8"	0.97
FLRSC-1000SSN	1"	3/4" SAE	5000	0.75	2.76	2.17	2.06	1.03	1.38	0.83	3/8"	1.21
FLRSC-1250SSN	1 1/4"	1" SAE	4000	0.98	3.19	2.56	2.31	1.19	1.65	0.98	7/16"	1.87
FLRSC-1500SSN	1 1/2"	1 1/4" SAE	3000	1.26	3.74	3.07	2.75	1.41	1.77	1.06	1/2"	2.73
FLRSC-2000SSN	2"	1 1/2" SAE	3000	1.50	4.02	3.54	3.06	1.69	1.77	0.98	1/2"	3.51

