

# Code 62 Threaded 4-Bolt

For imperial SAE Flange spec; NPT-F & SAE-F ports  
Standard & Companion ~ Full & Reduced Port models



DMIC's FH series of Code 62 Forged Steel 4-Bolt flanges are suitable for increasingly more prevalent applications which exceed the Code 61 specification (>3,000 PSI). Engineered with extra heavy construction and generous safety factor for complete peace of mind.

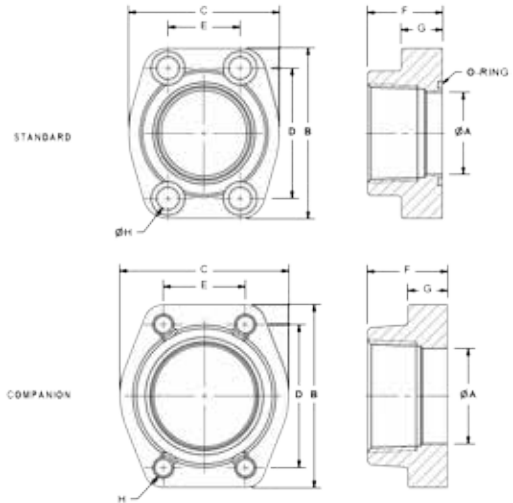
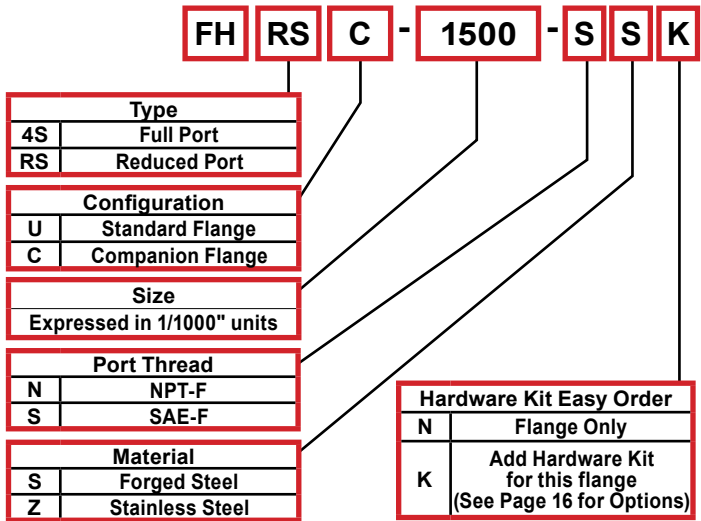
- Sizes from ½" through 2", full port and one-size-reduced port models
- Extensive stock of "Standard" and "Companion" types
- Available in Stainless Steel; production leadtime may apply
- Metric companion model is available by special order
- DMIC "Standard" flanges designed to accept either UNC or metric bolt

## Standard Code 62 Threaded 4-Bolt Flanges (with O-Ring Groove)

Standard Flange Part Number	Size		Working PSI	Dimensions (inches)								O-Ring	
	Flange Pad	Port Thread		A	B	C	D	E	F	G	H		lbs.
<b>FH4SU-NSN (NPT-F Thread, Standard, C.62)</b>													
FH4SU-0500NSN	½"	½" NPT	6000 PSI	0.51	2.24	1.81	1.59	0.72	1.42	0.63	0.35	0.55	2-210
FH4SU-0750NSN	¾"	¾" NPT		0.75	2.80	2.17	2.00	0.94	1.38	0.83	0.43	1.12	2-214
FH4SU-1000NSN	1"	1" NPT		0.98	3.19	2.56	2.25	1.09	1.65	0.98	0.51	1.79	2-219
FH4SU-1250NSN	1¼"	1¼" NPT		1.26	3.74	3.07	2.63	1.25	1.77	1.06	0.59	2.49	2-222
FH4SU-1500NSN	1½"	1½" NPT		1.50	4.41	3.70	3.13	1.44	1.97	1.18	0.67	3.99	2-225
FH4SU-2000NSN	2"	2" NPT		2.01	5.28	4.49	3.81	1.75	2.56	1.46	0.83	7.30	2-228
FH4SU-2500NSN	2½"	2½" NPT		2.48	7.09	5.98	4.87	2.31	3.15	1.77	1.02	15.40	2-232
FH4SU-3000NSN	3"	3" NPT		2.87	8.19	7.01	6.00	2.81	3.54	2.17	1.30	24.64	2-237
<b>FH4SU-SSN (SAE-F Thread, Standard, C.62)</b>													
FH4SU-0500SSN	½"	½" SAE	6000 PSI	0.51	2.24	1.81	1.59	0.72	1.42	0.63	0.35	0.55	2-210
FH4SU-0750SSN	¾"	¾" SAE		0.75	2.80	2.17	2.00	0.94	1.38	0.83	0.43	1.12	2-214
FH4SU-1000SSN	1"	1" SAE		0.98	3.19	2.56	2.25	1.09	1.65	0.98	0.51	1.79	2-219
FH4SU-1250SSN	1¼"	1¼" SAE		1.26	3.74	3.07	2.63	1.25	1.77	1.06	0.59	2.49	2-222
FH4SU-1500SSN	1½"	1½" SAE		1.50	4.41	3.70	3.13	1.44	1.97	1.18	0.67	3.99	2-225
FH4SU-2000SSN	2"	2" SAE		2.01	5.28	4.49	3.81	1.75	2.56	1.46	0.83	7.30	2-228
<b>FHRSU-NSN (Reduced Port NPT-F, Standard, C.62)</b>													
FHRSU-0500NSN	½"	¾" NPT	6000 PSI	0.51	2.24	1.81	1.59	0.72	1.42	0.63	0.35	0.62	2-210
FHRSU-0750NSN	¾"	½" NPT		0.51	2.80	2.17	2.00	0.94	1.38	0.83	0.43	1.23	2-214
FHRSU-1000NSN	1"	¾" NPT		0.75	3.19	2.56	2.25	1.09	1.65	0.98	0.51	1.85	2-219
FHRSU-1250NSN	1¼"	1" NPT		0.98	3.74	3.07	2.63	1.25	1.77	1.06	0.59	2.78	2-222
FHRSU-1500NSN	1½"	1¼" NPT		1.26	4.41	3.70	3.13	1.44	1.97	1.18	0.67	4.30	2-225
FHRSU-2000NSN	2"	1½" NPT		1.50	5.28	4.49	3.81	1.75	2.56	1.46	0.83	8.38	2-228
<b>FHRSU-SSN (Reduced Port SAE-F, Standard, C.62)</b>													
FHRSU-0500SSN	½"	¾" SAE	6000 PSI	0.51	2.24	1.81	1.59	0.72	1.42	0.63	0.35	0.62	2-210
FHRSU-0750SSN	¾"	½" SAE		0.51	2.80	2.17	2.00	0.94	1.38	0.83	0.43	1.23	2-214
FHRSU-1000SSN	1"	¾" SAE		0.75	3.19	2.56	2.25	1.09	1.65	0.98	0.51	1.85	2-219
FHRSU-1250SSN	1¼"	1" SAE		0.98	3.74	3.07	2.63	1.25	1.77	1.06	0.59	2.78	2-222
FHRSU-1500SSN	1½"	1¼" SAE		1.26	4.41	3.70	3.13	1.44	1.97	1.18	0.67	4.30	2-225
FHRSU-2000SSN	2"	1½" SAE		1.50	5.28	4.49	3.81	1.75	2.56	1.46	0.83	8.38	2-228



# Ordering Codes Summary



Due to our policy of continual product improvement, the specifications in this catalog may change without notice. When designing by spec, please request a certified print.

## Companion Code 62 Threaded 4-Bolt Flanges (with Tapped Bolt Holes)

Standard Flange Part Number	Size		Working PSI	Dimensions (inches)								
	Flange Pad	Port Thread		A	B	C	D	E	F	G	H (UNC)	lbs.
<b>FH4SC-NSN (NPT-F Thread, Companion, C.62)</b>												
FH4SC-0500NSN	1/2"	1/2" NPT	6000 PSI	0.51	2.24	1.81	1.59	0.72	1.42	0.63	5/16"	0.57
FH4SC-0750NSN	3/4"	3/4" NPT		0.75	2.80	2.17	2.00	0.94	1.38	0.83	3/8"	1.21
FH4SC-1000NSN	1"	1" NPT		0.98	3.19	2.56	2.25	1.09	1.65	0.98	7/16"	1.92
FH4SC-1250NSN	1 1/4"	1 1/4" NPT		1.26	3.74	3.07	2.63	1.25	1.77	1.06	1/2"	2.67
FH4SC-1500NSN	1 1/2"	1 1/2" NPT		1.50	4.41	3.70	3.13	1.44	1.97	1.18	5/8"	4.19
FH4SC-2000NSN	2"	2" NPT		2.01	5.28	4.49	3.81	1.75	2.56	1.46	3/4"	7.56
FH4SC-2500NSN	2 1/2"	2 1/2" NPT		2.48	7.09	5.98	4.87	2.31	3.15	1.77	7/8"	15.95
FH4SC-3000NSN	3"	3" NPT		2.87	8.19	7.01	6.00	2.81	3.54	2.17	1 1/8"	25.96
<b>FH4SC-SSN (SAE-F Thread, Companion, C.62)</b>												
FH4SC-0500SSN	1/2"	1/2" SAE	6000 PSI	0.51	2.24	1.81	1.59	0.72	1.42	0.63	5/16"	0.57
FH4SC-0750SSN	3/4"	3/4" SAE		0.75	2.80	2.17	2.00	0.94	1.38	0.83	3/8"	1.21
FH4SC-1000SSN	1"	1" SAE		0.98	3.19	2.56	2.25	1.09	1.65	0.98	7/16"	1.92
FH4SC-1250SSN	1 1/4"	1 1/4" SAE		1.26	3.74	3.07	2.63	1.25	1.77	1.06	1/2"	2.67
FH4SC-1500SSN	1 1/2"	1 1/2" SAE		1.50	4.41	3.70	3.13	1.44	1.97	1.18	5/8"	4.19
FH4SC-2000SSN	2"	2" SAE		2.01	5.28	4.49	3.81	1.75	2.56	1.46	3/4"	7.56
<b>FHRSC-NSN (Reduced Port NPT-F, Companion, C.62)</b>												
FHRSC-0500NSN	1/2"	3/8" NPT		6000 PSI	0.51	2.24	1.81	1.59	0.72	1.42	0.63	5/16"
FHRSC-0750NSN	3/4"	1/2" NPT	0.51		2.80	2.17	2.00	0.94	1.38	0.83	3/8"	1.32
FHRSC-1000NSN	1"	3/4" NPT	0.75		3.19	2.56	2.25	1.09	1.65	0.98	7/16"	1.98
FHRSC-1250NSN	1 1/4"	1" NPT	0.98		3.74	3.07	2.63	1.25	1.77	1.06	1/2"	2.95
FHRSC-1500NSN	1 1/2"	1 1/4" NPT	1.26		4.41	3.70	3.13	1.44	1.97	1.18	5/8"	4.48
FHRSC-2000NSN	2"	1 1/2" NPT	1.50		5.28	4.49	3.81	1.75	2.56	1.46	3/4"	8.64
<b>FHRSC-SSN (Reduced Port SAE-F, Companion, C.62)</b>												
FHRSC-0500SSN	1/2"	3/8" SAE	6000 PSI		0.51	2.24	1.81	1.59	0.72	1.42	0.63	5/16"
FHRSC-0750SSN	3/4"	1/2" SAE		0.51	2.80	2.17	2.00	0.94	1.38	0.83	3/8"	1.32
FHRSC-1000SSN	1"	3/4" SAE		0.75	3.19	2.56	2.25	1.09	1.65	0.98	7/16"	1.98
FHRSC-1250SSN	1 1/4"	1" SAE		0.98	3.74	3.07	2.63	1.25	1.77	1.06	1/2"	2.95
FHRSC-1500SSN	1 1/2"	1 1/4" SAE		1.26	4.41	3.70	3.13	1.44	1.97	1.18	5/8"	4.48
FHRSC-2000SSN	2"	1 1/2" SAE		1.50	5.28	4.49	3.81	1.75	2.56	1.46	3/4"	8.64

