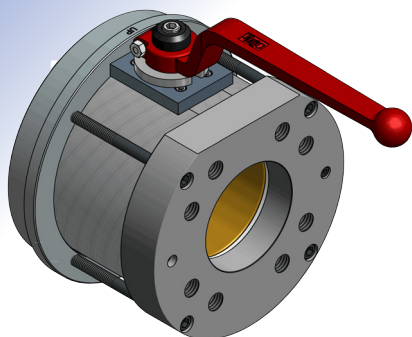


'BVALP' LOW PROFILE SUCTION

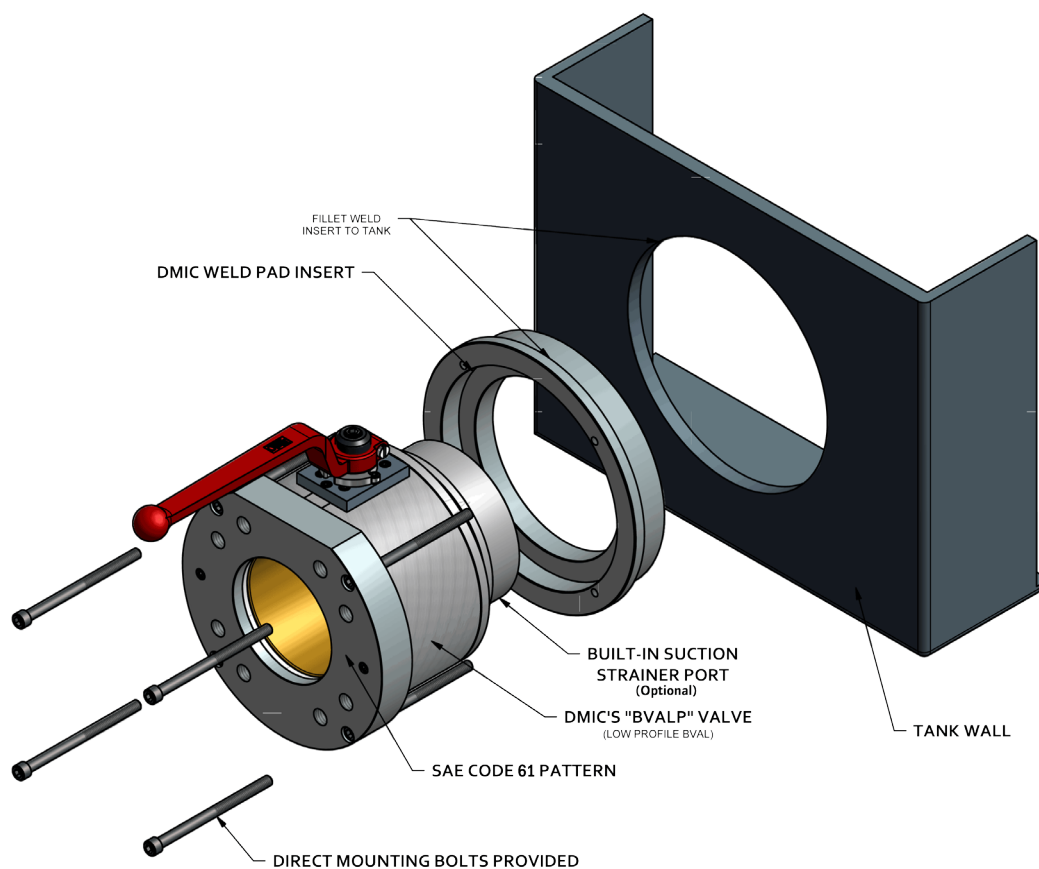
Ideal from suction to atmospheric pressure
Optimized for DMIC's "SSW" System - All sizes unrestricted bore.



Similar to DMIC's BVAL product line, but its smaller profile allows for mounting in tight spaces. Whether you're building a new system with a tight space constraint on a valve or are looking to replace your unreliable gate or butterfly valve, make DMIC's BVALP valve your only choice.

- Bore sizes range from 1"-4", other sizes available upon request
- Tank mounted flange for weldment and removable ball valve provided
- Available directly with suction line filter port
- Capable of handling up to 250 PSI
- SAE C.61 Mounting pattern provided (standard) with additional connection availability
- **Special bolt kit required (Sold Separately)**

Valve Installation Guide

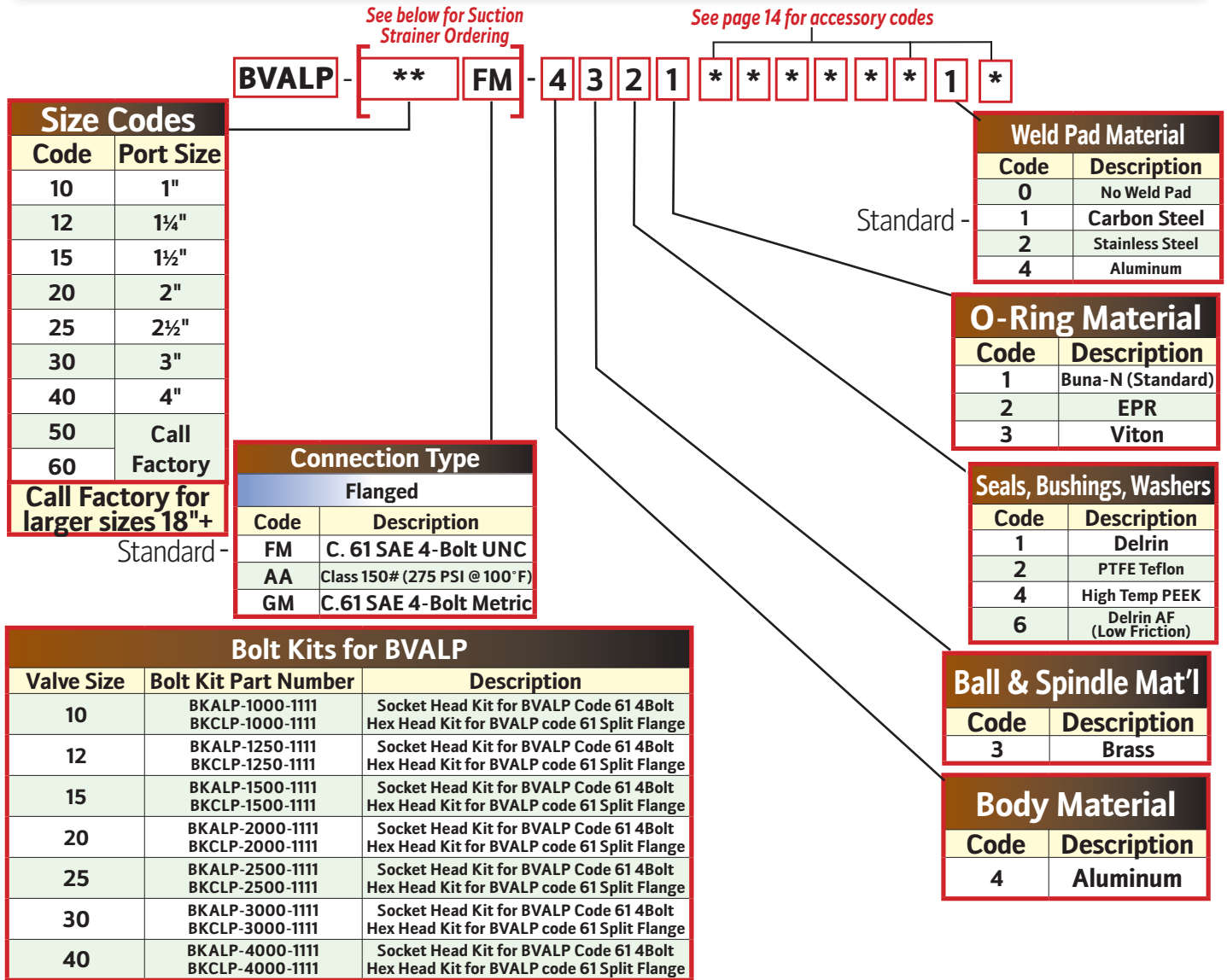


Sizes	
Valve Size	Hole Size
10	3.00"
12	3.75"
15	4.25"
20	5.00"
25	6.00"
30	7.00"
40	8.00"

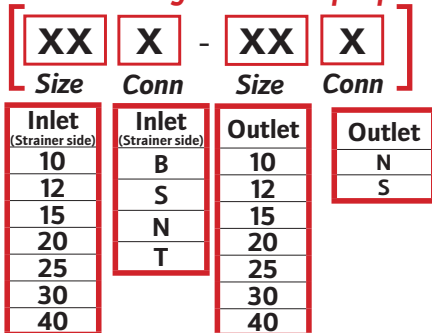


'BVALP' LOW PROFILE SUCTION

Ordering Codes Summary



2+2 Ordering Code Example for built in Suction Strainer Port:



Ordering Example:

BVALP-25N-25FM-4321AZZN

- NPT Port for Strainer
- FM Bolt Conn. on outlet side
- Standard Material Carbon Steel Weld Pad. Last 4 Accessory Codes Dropped

BVALP-30S-30FM-4321ZZZNZZZ

- Weld Pad Material request is Stainless Steel

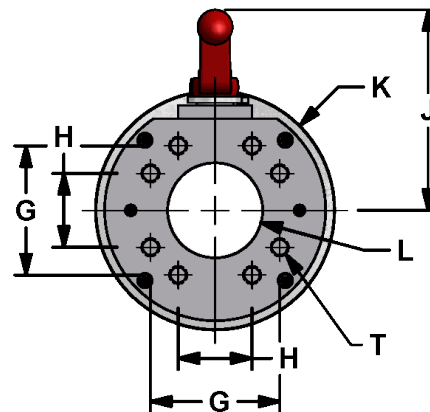
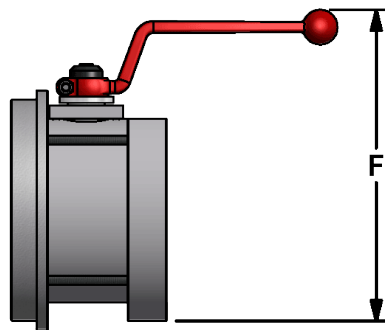
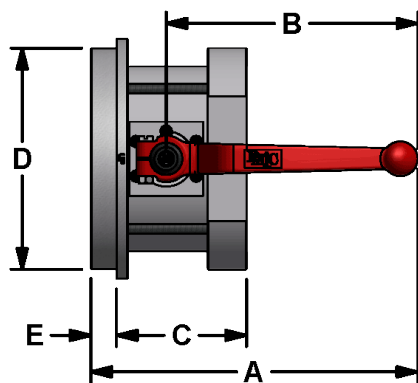
Note: Changes from Standard Materials may result in changes to temperature and/or pressure rating.

Due to our policy of continual product improvement, the specifications in this catalog may change without notice. When designing by spec, please request a certified print.



'BVALP' LOW PROFILE SUCTION

BVALP	Port Size	Dimensions											
		A Overall Length	B Handle Length	C Installed Length	D Tank Hole Diameter	E Tank Inset	F Overall Height	G SAE C. 61 Pattern	H SAE C. 61 Pattern	J Cntr to Handle Height	K Weld Pad Diameter	L Thru Bore	T Mounting Thread UNC
BVALP-10	1"	6.78	5.09	2.79	3.00	0.50	4.75	2.06	1.03	3.13	3.25	0.97	3/8
BVALP-12	1¼"	8.72	6.81	3.16	3.75	0.50	6.06	2.31	1.19	4.06	4.00	1.25	7/16
BVALP-15	1½"	8.59	6.81	3.41	4.25	0.50	6.54	2.75	1.41	4.29	4.50	1.50	1/2
BVALP-20	2"	8.65	6.81	3.47	5.00	0.50	7.09	3.06	1.69	4.59	5.50	1.97	1/2
BVALP-25	2½"	8.85	6.81	3.52	6.00	0.69	8.43	3.50	2.00	5.43	6.50	2.56	1/2
BVALP-30	3"	11.14	8.61	4.50	7.00	0.88	9.48	4.19	2.44	5.98	7.50	3.15	5/8
BVALP-40	4"	11.35	8.61	4.49	8.00	1.09	10.53	5.13	3.06	6.53	8.50	3.94	5/8



Due to our policy of continual product improvement, the specifications in this catalog may change without notice. When designing by spec, please request a certified print.



'BVALP' LOW PROFILE SUCTION

Flow Characteristic and Actuation Torque Curves

