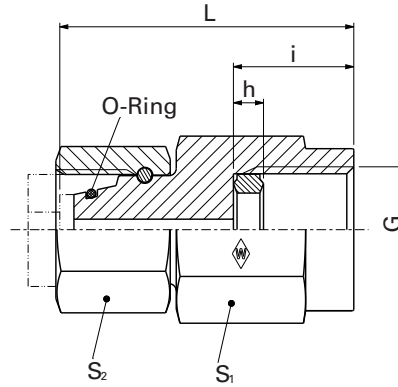


# Adjustable gauge couplings

## EMASD ...

### EMASD ...-1.4571

- Inch thread
- with taper and O-ring made from NBR\* (e.g. Perbunan)
- with taper and O-ring made from FKM (e.g. Viton) for stainless steel (1.4571)



H

Series	PN bar (psi)	Tube outer diameter	DIN-ISO 228 (R ..., DIN 259) G	Model	kg/ 100 pc.	L <sub>2</sub>	i	h	S <sub>1</sub>	S <sub>2</sub>	*O-ring	Stud EMASD ...	Stud Stainless steel (1.4571) EMASD ...- 1.4571	
												Art. no.	Art. no.	
L	500 (7252)	6	G 1/4	<b>EMASD 6 LR</b>	5.7	38	14.5	4.5	19	14	4.5x1.5	<b>WAL605748</b>	<b>WAL615259</b>	
		8	G 1/4	<b>EMASD 8 LR</b>	7.0	38	14.5	4.5	19	17	6x1.5	<b>WAL066353</b>	<b>WAL617825</b>	
		10	G 1/4	<b>EMASD 10 LR</b>	7.2	39.5	14.5	4.5	19	19	8.5x1.5	<b>WAL605749</b>	<b>WAL617826</b>	
S	400 (5801)	12	G 1/4	<b>EMASD 12 LR</b>	8.0	40.5	14.5	4.5	19	22	10x1.5	<b>WAL605750</b>	<b>WAL614847</b>	
		630 (9137)	6	G 1/2	<b>EMASD 6 SR</b>	11.5	45	20	5	27	17	4.5x1.5	<b>WAL605751</b>	<b>WAL617827</b>
			8	G 1/2	<b>EMASD 8 SR</b>	11.4	45	20	5	27	19	6x1.5	<b>WAL605752</b>	<b>WAL615584</b>
			10	G 1/2	<b>EMASD 10 SR</b>	13.4	47	20	5	27	22	8.5x1.5	<b>WAL605753</b>	<b>WAL615441</b>
		12	G 1/2	<b>EMASD 12 SR</b>	12.9	47.5	20	5	27	24	10x1.5	<b>WAL066313</b>	<b>WAL617828</b>	

**⚠ Caution:** The pressure specifications refer to the steel version. For the stainless steel version (1.4571), please refer to the pressure specifications on page B5.

L<sub>2</sub>= approximate dimension if the union nut is tightened

\*\*FPM (e.g. Viton) see price list / available on request