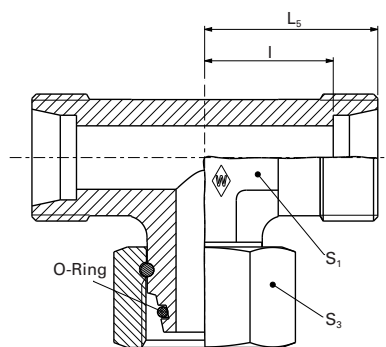


ETSD ... ETSD ...-1.4571



F

System nuts for supplementing the stud
(for technical data, see part D of this catalog)

Series	PN bar (psi)	Tube outer diameter	Model	kg/ 100 pc.	Art. no.	Stud	WALRING W-R ... VI	WALFORM WF-M ... VI	WALFORM
						ETSD ...			Stainless steel (1.4571) ETSD ... VI -1.4571
L	500 (7252)	6	ETSD 6 L	3.2	WAL063897	WAL618253	WAL624607	WAL625940	WAL625980
		8	ETSD 8 L	6.5	WAL063898	WAL618254	WAL624608	WAL625941	WAL625981
		10	ETSD 10 L	9.5	WAL063899	WAL618255	WAL624609	WAL625942	WAL625982
	400 (5801)	12	ETSD 12 L	12.5	WAL063900	WAL618256	WAL624610	WAL625943	WAL625983
		15	ETSD 15 L	14	WAL063901	WAL618257	WAL624611	WAL625944	WAL625984
		18	ETSD 18 L	21.5	WAL063902	WAL618258	WAL624612	WAL625945	WAL625985
	250 (3626)	22	ETSD 22 L	28	WAL063903	WAL618259	WAL624613	WAL625946	WAL625986
		28	ETSD 28 L	49	WAL063904	WAL618260	WAL624614	WAL625947	WAL625987
		35	ETSD 35 L	60.9	WAL063905	WAL618261	WAL624615	WAL625948	WAL625988
		42	ETSD 42 L	89.2	WAL063906	WAL617598	WAL624616	WAL625949	WAL625989
S	800 (11603)	6	ETSD 6 S	8	WAL063907	WAL617599	WAL624617	WAL625950	WAL625990
		8	ETSD 8 S	10.5	WAL063908	WAL618262	WAL624618	WAL625951	WAL625991
		10	ETSD 10 S	14	WAL063909	WAL618263	WAL624619	WAL625952	WAL625992
	630 (9137)	12	ETSD 12 S	19	WAL063910	WAL618264	WAL624620	WAL625953	WAL625993
		14	ETSD 14 S	16.9	WAL063911	WAL606249			
	420 (6091)	16	ETSD 16 S	23	WAL063912	WAL618265	WAL624621	WAL625954	WAL625994
		20	ETSD 20 S	35	WAL063913	WAL618266	WAL624622	WAL625955	WAL625995
		25	ETSD 25 S	63.5	WAL063914	WAL618267	WAL624623	WAL625956	WAL625996
	400 (5801)	30	ETSD 30 S	87	WAL063915	WAL617600	WAL624624	WAL625957	WAL625997
		38	ETSD 38 S	131	WAL063916	WAL618268	WAL624625	WAL625958	WAL625998

⚠ Caution: The pressure specifications refer to the steel version. For the stainless steel version (1.4571), please refer to the pressure specifications on page B5.

Special parts are available on request.