

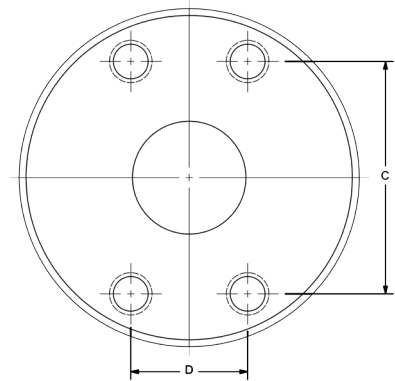
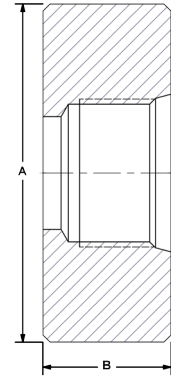
FCM Flat Weld SAE 4-B Companion

Facilitates return lines to reservoir ~ Sizes from 3/4" to 6" SAE/BSP



The FCM is a flat weld SAE 4-Bolt Companion Flange optimized for use as a reservoir outlet connection. An internal thread provides a mounting point for strainer or baffle tube.

- Standard UNC Bolt Holes with NPTF internal port for U.S. Buyers, option of metric bolt holes and BSP, SAE, W4 porting.
- An economical way to incorporate professional looking 4-bolt connections on the reservoir.
- Available in Stainless Steel.
- Suction to 400 PSI.



FCM	Flat Weld Sidewall SAE C.61 Companion				
	Port Size	Dimensions IN			
Port Codes		A	B	C	D
FM GM N W4 S	3/4"	2.75	1.00	1.88	0.88
	1"	3.00	1.13	2.06	1.03
	1 1/4"	3.25	1.13	2.31	1.19
	1 1/2"	3.75	1.25	2.75	1.41
	2"	4.50	1.25	3.06	1.69
	2 1/2"	5.00	1.25	3.50	2.00
	3"	6.00	1.50	4.19	2.44
4"	7.00	1.50	5.13	3.06	

Ordering Codes

FCM	-	**	FM	-	**	S	-	1	1	<table border="1"> <thead> <tr> <th colspan="2">Null</th> </tr> <tr> <th>Code</th> <th>Description</th> </tr> </thead> <tbody> <tr> <td>This code is always "1"</td> <td></td> </tr> </tbody> </table>	Null		Code	Description	This code is always "1"	
Null																
Code	Description															
This code is always "1"																

First Size Code	
Code	Port Size
07	3/4"
10	1"
12	1 1/4"
15	1 1/2"
20	2"
25	2 1/2"
30	3"
40	4"
50	5" - Call
60	6" - Call

C.61 Comp Side	
Code	Description
FM	C.61 4B UNC (U.S. Std)
GM	C.61 4B Metric Bolts

Choose Adapter Size
Replace ** with the desired adapter size.
Two different size codes selects step size option.

Second Size Code	
Code	Port Size
07	3/4"
10	1"
12	1 1/4"
15	1 1/2"
20	2"
25	2 1/2"
30	3"
40	4"
50	5" - Call
60	6" - Call

Internal Conn-F	
Code	Description
N	NPT-F (standard)
W4	Sch. 40 Socket Weld
S	SAE-F ORB

Alternate Thread Standard

Replace the "S" SAE ORB standard thread connection with a choice from the "Thread Side" table. Please call to confirm price and availability.

Alternate Weld Connection Standard

DMIC does not offer any alternate weld connections for the FCM model flat weld adapter.

Adapter Material	
Code	Description
1	Low Carbon Steel
2	Stainless Steel

