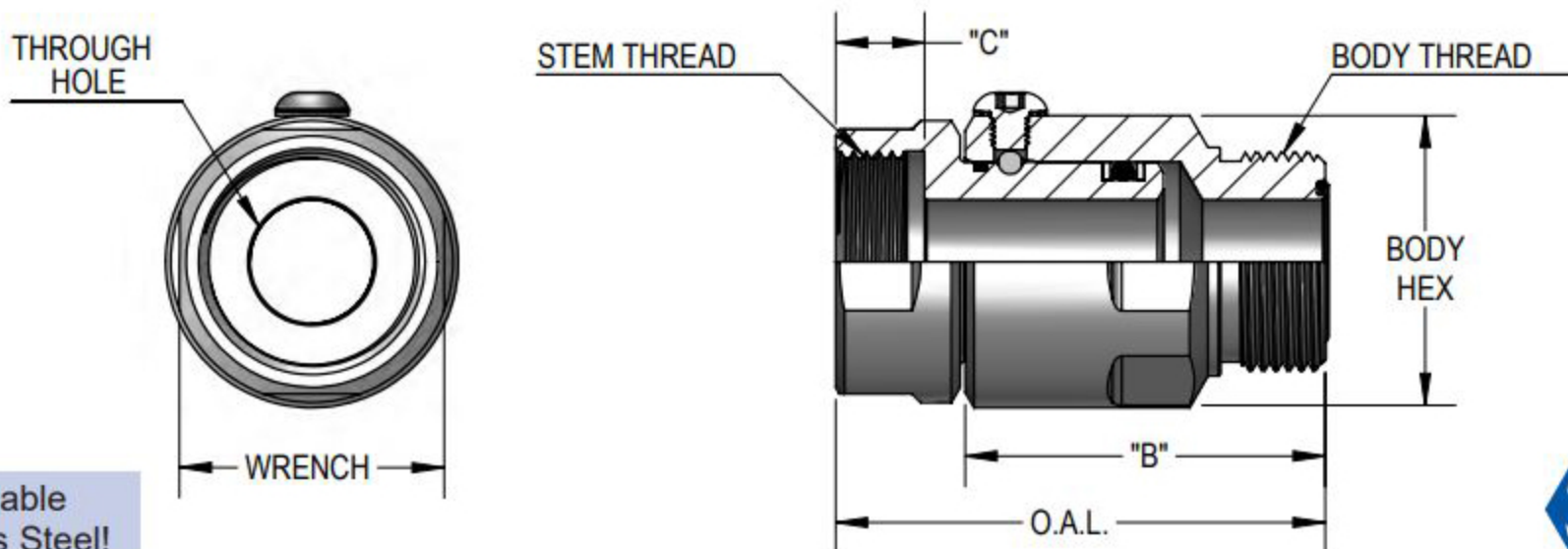


Female Face Seal (F.F.S.) X Male Face Seal (M.F.S.)



Not Available
In Stainless Steel!



PART NUMBER	O.A.L.	DIM. B	DIM. C	STEM THREAD	BODY THREAD	WRENCH	BODY HEX/WRENCH	MAX P.S.I.G.	THROUGH HOLE
SS 4 FFS 6 X MFS 6	2.200	1.640	0.375	11/16-16 U.N.	11/16-16 U.N.	0.875	1.000	5000	0.250
SS 8 FFS 8 X MFS 8	2.400	1.709	0.433	13/16-16 U.N.	13/16-16 U.N.	1.120	1.375	5000	0.390
SS 8 FFS 10 X MFS 10	2.550	1.815	0.504	1-14 U.N.	1-14 U.N.	1.250	1.375	5000	0.484
SS 12 FFS 12 X MFS 12	2.690	1.900	0.571	1 ³ / ₁₆ -12 U.N.	1 ³ / ₁₆ -12 U.N.	1.500	1.560	4500	0.609
SS 16 FFS 16 X MFS 16	3.310	2.360	0.583	1 ⁷ / ₁₆ -12 U.N.	1 ⁷ / ₁₆ -12 U.N.	1.750	1.810	4000	0.811
SS 20 FFS 20 X MFS 20	3.390	2.500	0.583	1 ¹¹ / ₁₆ -12 U.N.	1 ¹¹ / ₁₆ -12 U.N.	2.125	2.188	4000	1.024
SS 24 FFS 24 X MFS 24	3.950	3.050	0.583	2-12 U.N.	2-12 U.N.	2.375	2.375	4000	1.260