

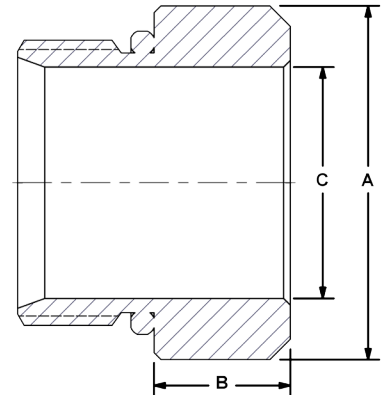
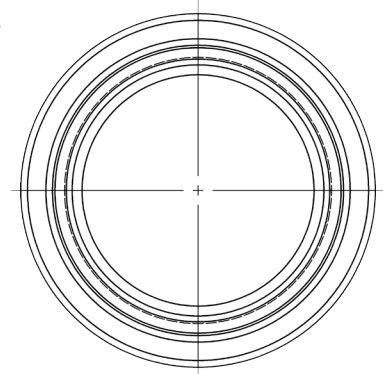
FFW Basic Flat Weld to Thread

Flat weld mounts to reservoir ~ Sizes from 3/4" to 6" SAE/BSP



The **FFW Fixed Flat Weld** adapter provides much of the functionality of SFW without the swivel feature. For flat weld applications, see the complete array of Reservoir Weld adapters starting on page 28.

- Valves can be absent during welding to eliminate contamination and heat damage.
- Reduced skilled labor requirement and improved repeatability for all skill classes.
- Made in USA for fast delivery and top quality in sizes up to 6".
- Suction to 400 PSI.



FFW	Basic Flat Weld to SAE/BSP Thread			
	Port Size	Dimensions IN		
		A	B	C
S B	3/4"	1.38	0.63	0.75
	1"	1.63	0.63	1.06
	1 1/4"	2.00	0.63	1.25
	1 1/2"	2.25	0.63	1.50
	2"	2.75	0.63	2.00
	2 1/2"	3.38	0.63	2.50
	3"	4.00	0.75	3.00
	4"	5.00	0.75	4.00

Ordering Codes

FFW - ** S - 1 1

Size Code	
Code	Port Size
07	3/4"
10	1"
12	1 1/4"
15	1 1/2"
20	2"
25	2 1/2"
30	3"
40	4"
50	5" - Call
60	6" - Call

External Thread-M	
Code	Description
S	SAE-M ORB
B	BSPP-M

Choose Adapter Size
Replace ** with the desired adapter size.

Adapter Material	
Code	Description
1	Low Carbon Steel
2	Stainless Steel

O-Ring Elastomer	
Code	Description
1	Buna-N (standard)
2	Ethylene Propylene "EPR"
3	Viton

Alternate External Thread Standard

Replace the "S" SAE ORB standard thread connection with a choice from the "Thread Side" table. Please call to confirm price and availability.

Alternate Weld Connection Standard

DMIC does not offer any alternate weld connections for the FFW model adapter. For a Socket Weld variation, see SSW on page 7.

