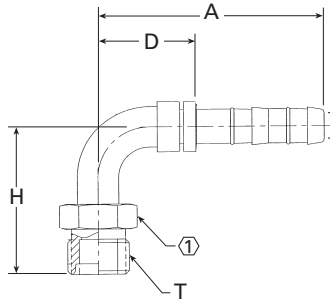


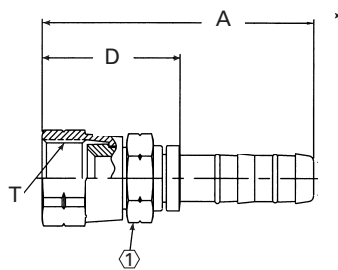
FJ3056



90° male MIO – (male insert O-Ring)

PART NUMBER	TH'D "T"	HOSE SIZE	A REF	D REF	F REF	H REF	① REF
FJ3056-01-0606S	5/8-18	6	2.50	0.98	—	1.44	0.69
FJ3056-02-0808S	3/4-16	8	2.74	1.20	—	1.82	0.81
FJ3056-03-1010S	7/8-14	10	3.09	1.54	—	2.13	0.94
FJ3056-04-0810S	3/4-16	10	2.75	1.20	—	1.82	0.81
FJ3056-05-0608S	5/8-18	8	2.52	0.98	—	1.44	0.69

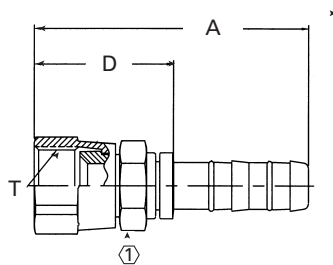
FJ3057



Female SAE 45° flares

PART NUMBER	TH'D "T"	HOSE SIZE	A REF	D REF	F REF	H REF	① REF
FJ3057-01-0606S	5/8-18	6	2.88	1.35	—	—	0.56
FJ3057-08-0806S	3/4-16	6	2.94	1.42	—	—	0.69
FJ3057-02-0608S	5/8-18	8	3.14	1.62	—	—	0.75
FJ3057-03-0808S	3/4-16	8	2.96	1.42	—	—	0.69
FJ3057-04-0810S	3/4-16	10	3.56	2.02	—	—	0.88
FJ3057-05-1010S	7/8-14	10	3.63	2.08	—	—	1.00
FJ3057-06-1012S	7/8-14	12	3.66	2.08	—	—	1.00
FJ3057-07-1212S	1-1/16-14	12	3.20	1.62	—	—	1.25

FJ3731/FJ3508

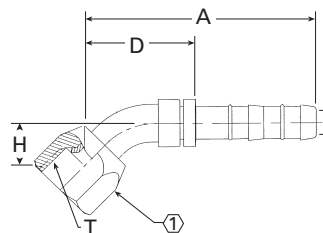


Straight – female 37° flares

PART NUMBER	TH'D "T"	HOSE SIZE	A REF	D REF	F REF	H REF	① REF
FJ3731-0404S	7/16-20	4	2.75	2.08	—	—	0.56
FJ3731-0606S	9/16-18	6	3.66	2.13	—	—	0.68
FJ3731-0808S	3/4-16	8	4.35	2.81	—	—	0.88
FJ3731-1010S	7/8-14	10	4.21	2.66	—	—	1.00
FJ3731-1212S	1-1/16-12	12	4.62	3.04	—	—	1.25
FJ3731-1616S	1-5/16-12	16	5.99	4.31	—	—	1.50
FJ3508-0404C	7/16-20	4	1.87	1.20	—	—	0.56
FJ3508-0808C	3/4-16	8	2.96	1.42	—	—	0.88
FJ3058-1010C	7/8-14	10	3.15	1.59	—	—	1.00
FJ3058-1616C	1-15/16-12	16	3.50	1.82	—	—	1.50

Items ending in "C" are stainless

EJ3534



45° female JIC 37° flare

PART NUMBER	TH'D "T"	HOSE SIZE	A REF	D REF	F REF	H REF	① REF
EJ3534-02-0606S	9/16-18	6	3.31	1.79	—	0.74	1.00
EJ3534-03-0608S	9/16-18	8	3.76	3.32	—	1.10	0.68
EJ3534-04-0808S	3/4-16	8	4.04	2.49	—	1.10	0.88
EJ3534-05-1010S	7/8-14	10	4.21	2.66	—	1.27	1.25
EJ3534-06-1212S	1-1/16-12	12	4.30	2.73	—	1.33	1.50
EJ3534-07-1616S	1-5/16-12	16	5.46	3.79	—	1.92	1.50
EJ3534-01-0404S	7/16-20	4	2.37	1.70	—	0.63	0.56