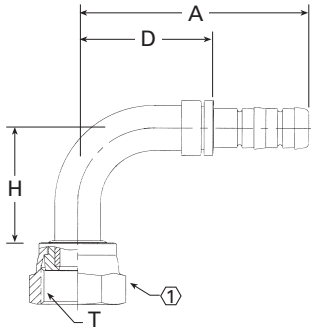


# EZ Clip system - GH001 Fittings

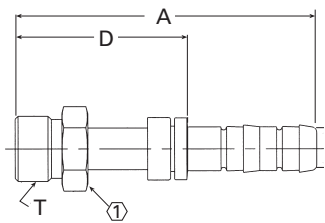
## FJ3319



### 90° ORS female swivel (long drop)

PART NUMBER	TH'D "T"	HOSE SIZE	A REF	D REF	F REF	H REF	① REF
FJ3319-1212S	1-3/16-12	12	3.82	2.24	—	2.38	1.13

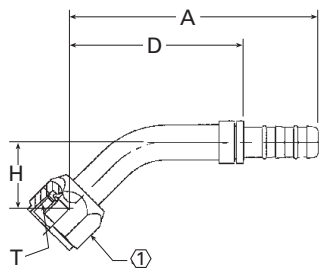
## FJ3136



### Straight male O-Ring (rigid) metric thread

PART NUMBER	TH'D "T"	HOSE SIZE	A REF	D REF	F REF	H REF	① REF
FJ3136-0810S	M20 x 1.5	10	3.62	2.07	0.69	—	0.88

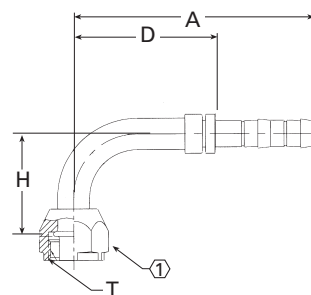
## FJ3192



### 45° female O-Ring (long pilot) metric thread

PART NUMBER	TH'D "T"	HOSE SIZE	A REF	D REF	F REF	H REF	① REF
FJ3192-02-1212S	M27x2	12	4.74	3.17	—	1.47	1.25

## FJ3111/FJ3409



### 90° female O-Ring (long pilot) metric thread

PART NUMBER	TH'D "T"	HOSE SIZE	A REF	D REF	F REF	H REF	① REF
FJ3111-01-0808S	M20 x 1.5	8	3.77	2.23	—	1.62	0.94
FJ3111-02-0810S	M20 x 1.5	10	3.78	2.23	—	1.62	0.94
FJ3111-03-0806S*	M20 x 1.5	6	3.75	2.23	—	1.62	0.94
FJ3409-1210S	M27 x 2	10	4.81	3.25	—	2.56	1.25
FJ3409-1212S	M27 x 2	12	4.74	3.16	—	2.56	1.25

\* MTO (made to order)