

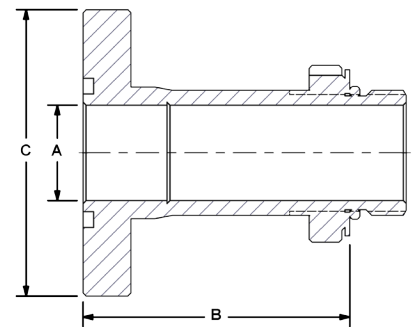
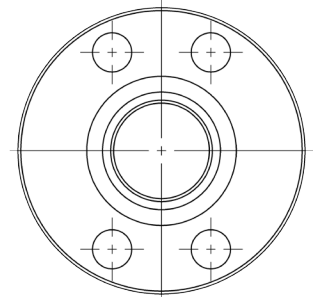
FMM SAE 4B Standard to Thread

Convert low pressure SAE/BSP thrd to SAE 4-Bolt standard pad



The FMM standard flange is adapted from the FMC (page 22), but features through bolt-holes and O-Ring groove for a "standard" flange configuration.

- Compatible with UNC and metric bolts.
- Fast and economical conversion to SAE 4-Bolt standard flange.
- Reliable mechanical base for your SAE C.61 Split Flange terminated pipe or hose.
- Swivel permits proper bolt hole orientation.
- Made in U.S.A.
- Suction to 400 PSI.



FMM	C.61 4B Standard to Thread, Inline				
	Port Size	Dimensions IN			
Port Codes		A	B	C	Lbs
FL AA S B	¾"	0.75	2.79	2.75	1.10
	1"	1.00	2.79	3.00	1.40
	1¼"	1.25	2.91	3.38	1.80
	1½"	1.50	2.80	3.75	2.30
	2"	2.00	3.16	4.25	3.30
	2½"	2.50	3.34	4.75	4.70
	3"	3.00	3.92	5.75	6.70
	4"	4.00	3.92	7.00	9.00

Ordering Codes

FMM - ** FL - ** S - 1 1

O-Ring Elastomer	
Code	Description
1	Buna-N (standard)
2	Ethylene Propylene "EPR"
3	Viton

First Size Code	
Code	Port Size
07	¾"
10	1"
12	1¼"
15	1½"
20	2"
25	2½"
30	3"
40	4"
50	5" - Call
60	6" - Call

Split Flange Side	
Code	Description
FL	C.61 4B Std. Universal
AA	ANSI 150 #

Choose Adapter Size
Replace ** with the desired adapter size.
Two different size codes selects step size option.

Second Size Code	
Code	Port Size
07	¾"
10	1"
12	1¼"
15	1½"
20	2"
25	2½"
30	3"
40	4"
50	5" - Call
60	6" - Call

Thread Side	
Code	Description
S	SAE ORB (Standard)
B	BSPP

Universal Bolt Holes

The SAE 4-Bolt standard pad is drilled nominally oversize to permit the use of UNC or Metric bolts.

Alternate Thread Standard

Replace the "S" SAE ORB standard thread connection with a choice from the "Thread Side" table. Please call to confirm price and availability.

Adapter Material	
Code	Description
1	Low Carbon Steel
2	Stainless Steel

