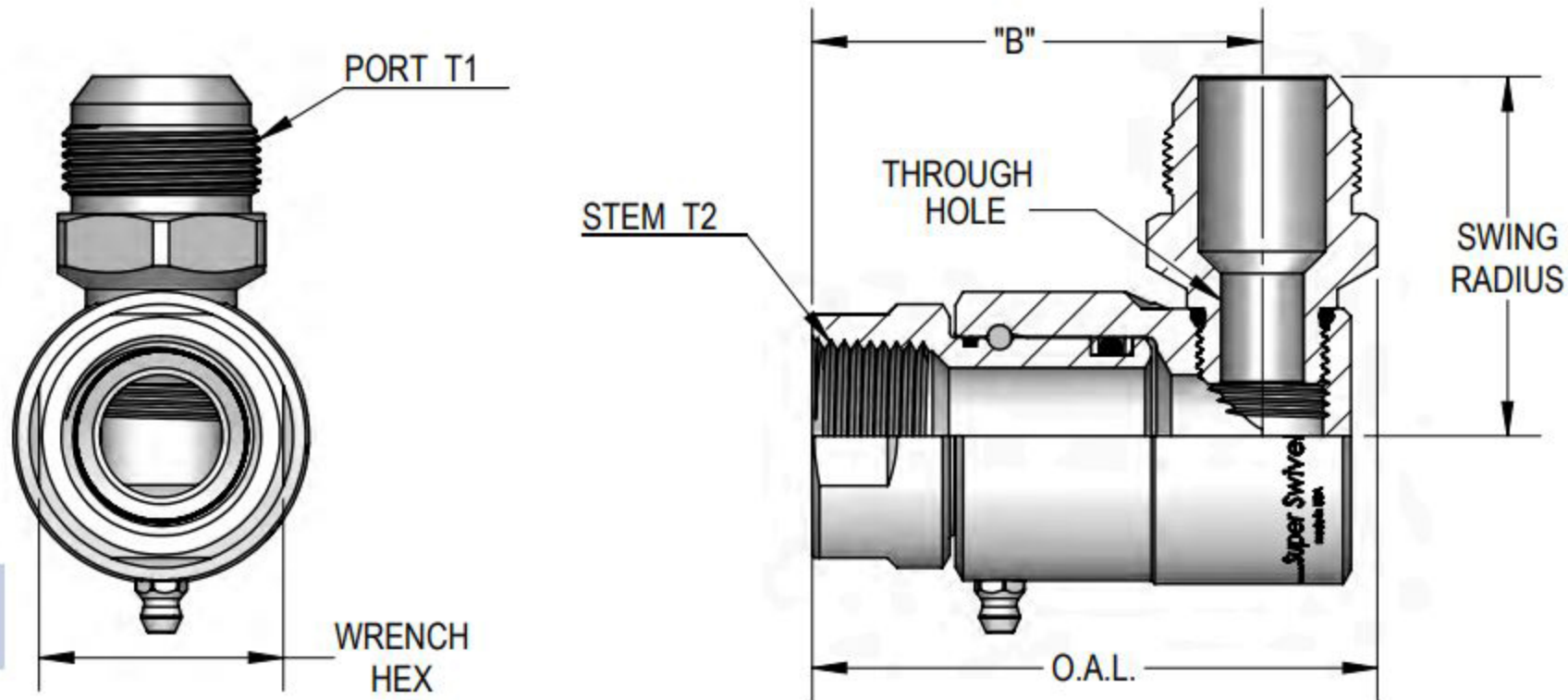


Female Pipe (N.P.T.F.) X Male J.I.C. (37°)



Not Available
In Stainless Steel!

PART NUMBER	O.A.L.	DIM. B	WRENCH/HEX	PORT T1	STEM T2	SWG. RADIUS	MAX. P.S.I.G.	THROUGH HOLE
9 SS 4 FP 25 X MJ 4	2.510	2.000	0.750	7/16-20 U.N.	1/4-18 N.P.T.F.	1.454	3500	0.170
9 SS 4 FP 25 X MJ 6	2.510	2.000	0.750	9/16-18 U.N.	1/4-18 N.P.T.F.	1.454	3500	0.250
9 SS 8 FP 38 X MJ 6	2.670	2.120	0.875	9/16-18 U.N.	3/8-18 N.P.T.F.	1.581	3500	0.290
9 SS 8 FP 38 X MJ 8	2.670	2.120	0.875	3/4-16 U.N.	3/8-18 N.P.T.F.	1.712	3500	0.297
9 SS 8 FP 50 X MJ 8	2.850	2.270	1.125	3/4-16 U.N.	1/2-14 N.P.T.F.	1.712	3500	0.297
9 SS 8 FP 50 X MJ 10	2.880	2.270	1.125	7/8-14 U.N.	1/2-14 N.P.T.F.	1.978	3500	0.297
9 SS 12 FP 75 X MJ 12	3.000	2.360	1.375	1 1/16-12 U.N.	3/4-14 N.P.T.F.	2.288	3500	0.385
9 SS 16 FP 100 X MJ 16	3.730	2.980	1.625	1 5/16-12 U.N.	1-11 1/2 N.P.T.F.	2.384	3500	0.550
9 SS 20 FP 125 X MJ 20	4.300	3.285	2.000	1 5/8-12 U.N.	1 1/4-11 1/2 N.P.T.F.	2.970	3500	0.827
9 SS 24 FP 150 X MJ 24	5.160	4.040	2.375	1 7/8-12 U.N.	1 1/2-11 1/2 N.P.T.F.	3.097	3500	0.944