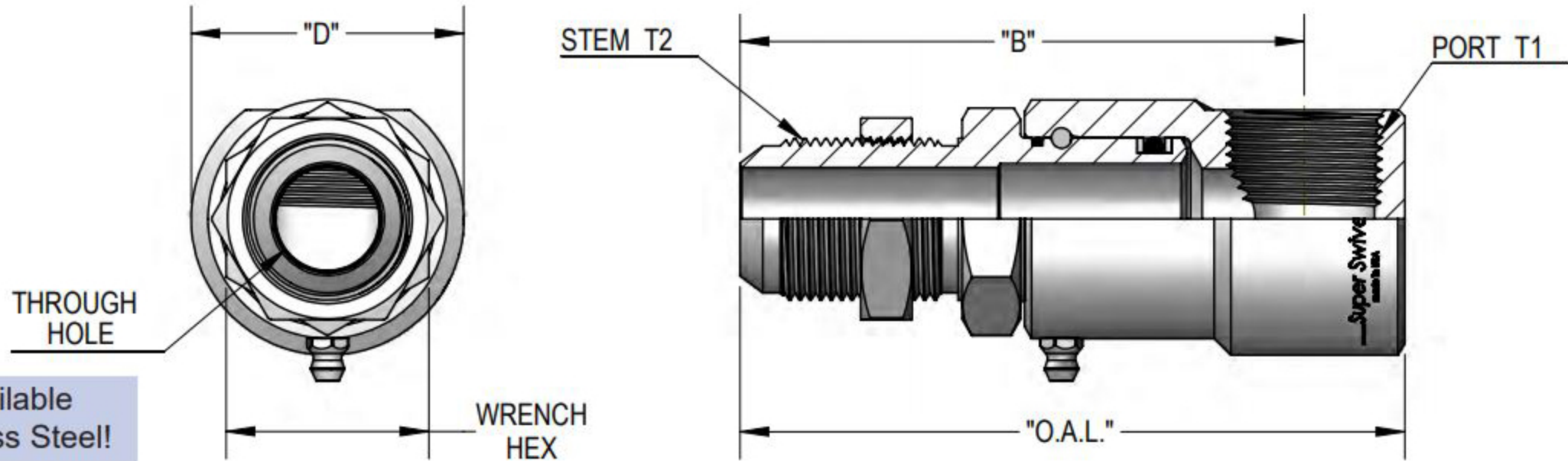


Male J.I.C. Bulkhead (37°) X Female Pipe (N.P.T.F.)



Not Available
In Stainless Steel!

PART NUMBER	O.A.L.	DIM. B	DIM. D Ø	WRENCH/HEX	PORT T1	STEM T2	SWG. RADIUS	MAX. P.S.I.G.	THROUGH HOLE
9 SS 4 MJB 6 X FP 25	3.230	2.860	1.190	.812	1/4-18 N.P.T.F.	9/16-18 U.N.	0.530	5000	0.250
9 SS 8 MJB 8 X FP 38	3.810	3.260	1.495	1.000	3/8-18 N.P.T.F.	3/4-16 U.N.	0.651	5000	0.406
9 SS 8 MJB 8 X FP 50	3.805	3.258	1.495	1.000	1/2-14 N.P.T.F.	3/4-16 U.N.	0.581	5000	0.406
9 SS 8 MJB 10 X FP 38	4.025	3.478	1.495	1.125	3/8-18 N.P.T.F.	7/8-14 U.N.	0.650s	5000	0.484
9 SS 8 MJB 10 X FP 50	4.025	3.478	1.495	1.125	1/2-14 N.P.T.F.	7/8-14 U.N.	0.581	5000	0.484
9 SS 12 MJB 12 X FP 75	4.475	3.810	1.710	1.375	3/4-14 N.P.T.F.	11/16-12 U.N.	0.643	4500	0.609
9 SS 16 MJB 16 X FP 100	5.330	4.522	2.162	1.625	1-11 1/2 N.P.T.F.	15/16-12 U.N.	0.741	4000	0.827
9 SS 20 MJB 20 X FP 125	5.808	4.840	2.702	1.875	1 1/4-11 1/2 N.P.T.F.	15/8-12 U.N.	1.049	4000	1.073