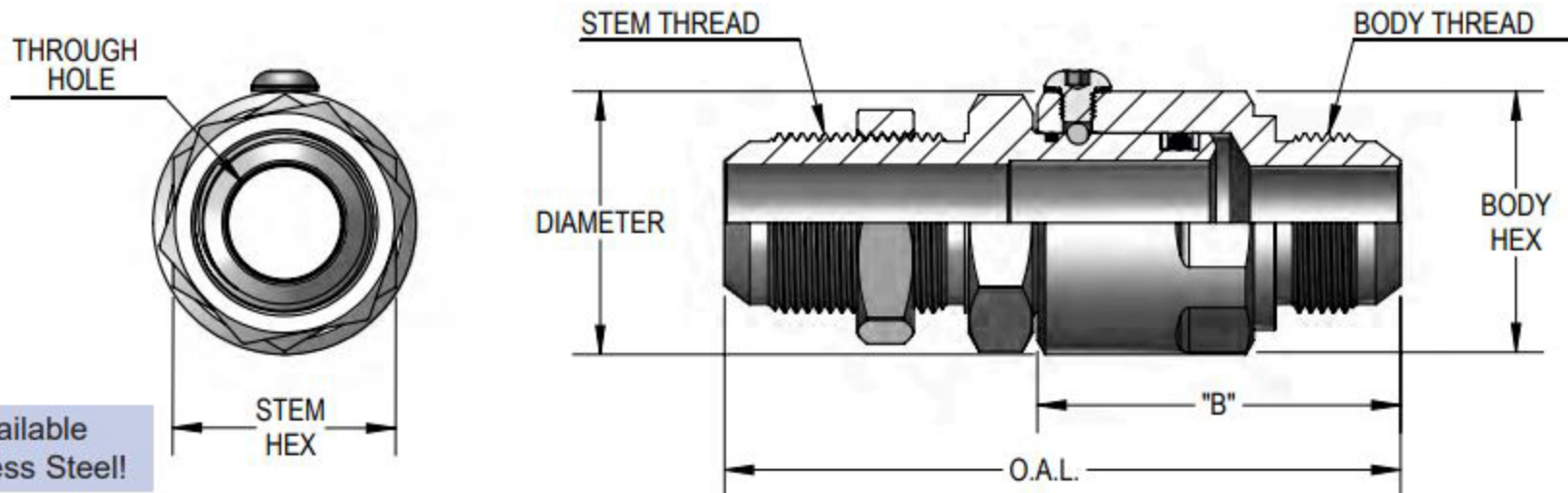


# Male J.I.C. Bulkhead (37°) X Male J.I.C. (37°)



Not Available  
In Stainless Steel!

PART NUMBER	O.A.L	DIM. B	STEM THREAD	BODY THREAD	STEM HEX	BODY HEX/WRENCH	BODY DIA.	MAX P.S.I.G.	THROUGH HOLE
SS 4 MJB 6 X MJ 6	3.310	1.720	9/16-18 U.N.	9/16-18 U.N.	.812	1.000	1.100	5000	0.250
SS 8 MJB 8 X MJ 8	3.720	1.900	3/4-16 U.N.	3/4-16 U.N.	1.000	1.375	1.480	5000	0.406
SS 8 MJB 10 X MJ 10	4.090	2.050	7/8-14 U.N.	7/8-14 U.N.	1.125	1.375	1.480	5000	0.484
SS 12 MJB 12 X MJ 12	4.405	2.125	1 1/16-12 U.N.	1 1/16-12 U.N.	1.375	1.560	1.675	4500	0.609
SS 16 MJB 16 X MJ 16	4.930	2.650	1 5/16-12 U.N.	1 5/16-12 U.N.	1.625	1.810	1.917	4000	0.827
<b>SS 20 MJB 20 X MJ 20</b>	5.290	2.850	1 5/8-12 U.N.	1 5/8-12 U.N.	1.875	2.188	2.357	4000	1.078