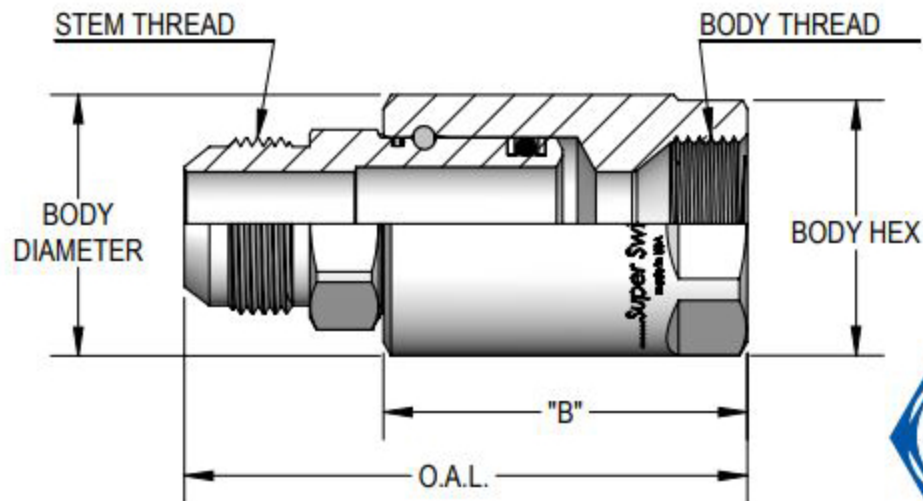
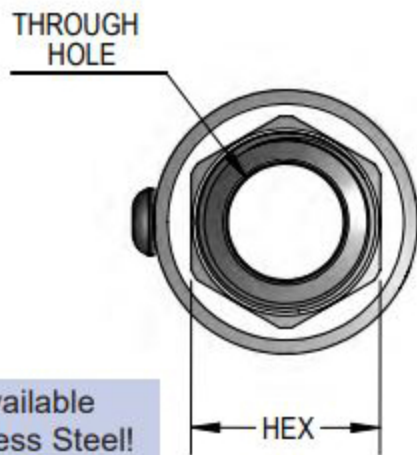


# Male J.I.C. (37°) X Female J.I.C. (37°)



Not Available  
In Stainless Steel!



PART NUMBER	O.A.L.	DIM. B	STEM THREAD	BODY THREAD	STEM HEX	BODY HEX/WRENCH	BODY DIA.	MAX P.S.I.G.	THROUGH HOLE
SS 4 MJ 4 X FJ 4	2.578	1.648	7/16-20 U.N.	7/16-20 U.N.	0.625	1.000	HEX	5000	0.172
SS 4 MJ 5 X FJ 5	2.578	1.648	1/2-20 U.N.	1/2-20 U.N.	0.625	1.000	HEX	5000	0.234
SS 4 MJ 6 X FJ 6	2.770	1.820	9/16-18 U.N.	9/16-18 U.N.	0.625	1.000	HEX	5000	0.250
SS 8 MJ 8 X FJ 8	3.035	1.950	3/4-16 U.N.	3/4-16 U.N.	1.000	1.375	1.480	5000	0.406
SS 8 MJ 10 X FJ 10	3.235	2.050	7/8-14 U.N.	7/8-14 U.N.	1.000	1.375	1.480	5000	0.484
SS 12 MJ 12 X FJ 12	3.505	2.145	1 <sup>1</sup> / <sub>16</sub> -12 U.N.	1 <sup>1</sup> / <sub>16</sub> -12 U.N.	1.125	1.500	1.675	4500	0.609
SS 16 MJ 16 X FJ 16	4.091	2.646	1 <sup>5</sup> / <sub>16</sub> -12 U.N.	1 <sup>5</sup> / <sub>16</sub> -12 U.N.	1.375	1.750	1.917	4000	0.844
SS 20 MJ 20 X FJ 20	4.395	2.850	1 <sup>5</sup> / <sub>8</sub> -12 U.N.	1 <sup>5</sup> / <sub>8</sub> -12 U.N.	1.750	2.125	2.357	4000	1.078
SS 24 MJ 24 X FJ 24	5.175	3.410	1 <sup>7</sup> / <sub>8</sub> -12 U.N.	1 <sup>7</sup> / <sub>8</sub> -12 U.N.	2.000	2.375	2.550	4000	1.312
SS 32 MJ 32 X FJ 32	6.080	4.075	2 <sup>1</sup> / <sub>2</sub> -12 U.N.	2 <sup>1</sup> / <sub>2</sub> -12 U.N.	2.625	2.875	3.052	3000	1.780