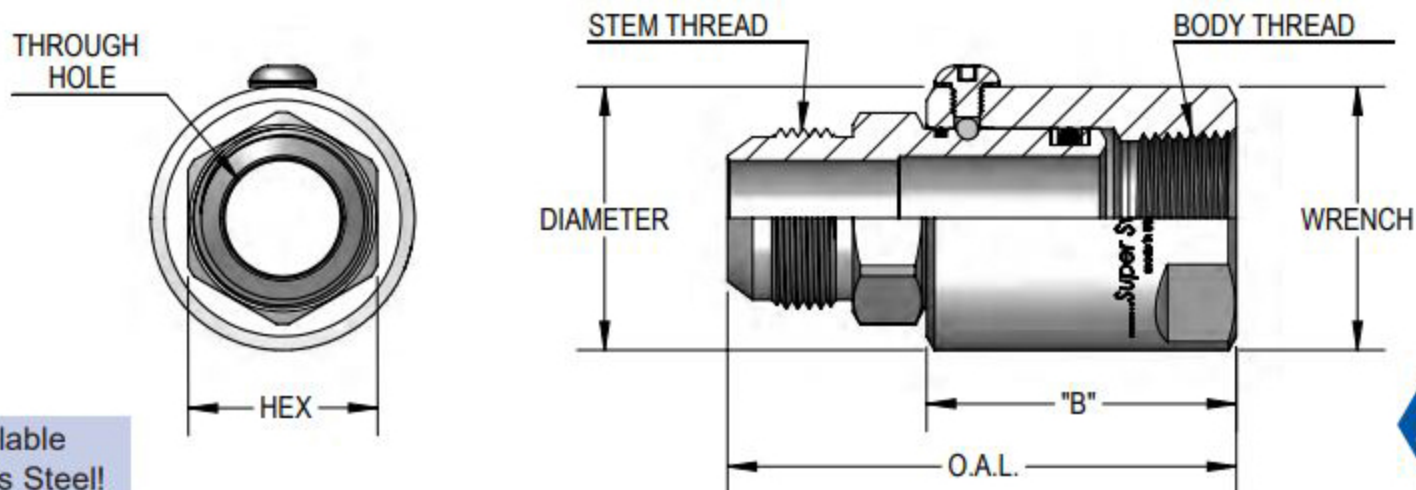


Male J.I.C. (37°) X Female Pipe (N.P.T.F.)



Not Available
In Stainless Steel!



PART NUMBER	O.A.L.	DIM. B	STEM THREAD	BODY THREAD	STEM HEX	DIAMETER	WRENCH	MAX P.S.I.G.	THROUGH HOLE
SS 4 MJ 6 X FP 25	2.670	1.720	9/16-18 U.N.	1/4-18 N.P.T.F.	0.625	0.990	0.875	5000	0.250
SS 8 MJ 6 X FP 38	2.555	1.575	9/16-18 U.N.	3/8-18 N.P.T.	1.00	1.292	1.125	5000	0.297
SS 8 MJ 8 X FP 38	2.655	1.575	3/4-16 U.N.	3/8-18 N.P.T.F.	1.000	1.292	1.125	5000	0.406
SS 8 MJ 8 X FP 50	2.740	1.650	3/4-16 U.N.	1/2-14 N.P.T.F.	1.000	1.480	1.250	5000	0.406
SS 8 MJ 10 X FP 50	2.840	1.650	7/8-14 U.N.	1/2-14 N.P.T.F.	1.000	1.480	1.250	5000	0.484
SS 12 MJ 12 X FP 75	3.210	1.850	1 ¹ / ₁₆ -12 U.N.	3/4-14 N.P.T.F.	1.125	1.675	1.500	4500	0.609
SS 16 MJ 16 X FP 100	3.700	2.225	1 ⁵ / ₁₆ -12 U.N.	1-11 ¹ / ₂ N.P.T.F.	1.375	1.917	1.750	4000	0.844
SS 20 MJ 20 X FP 125	4.230	2.685	1 ⁵ / ₈ -12 U.N.	1 ¹ / ₄ -11 ¹ / ₂ N.P.T.F.	1.750	2.357	2.125	4000	1.078
SS 24 MJ 24 X FP 150	4.715	2.950	1 ⁷ / ₈ -12 U.N.	1 ¹ / ₂ -11 ¹ / ₂ N.P.T.F.	2.000	2.547	2.375	4000	1.312
SS 32 MJ 32 X FP 200	5.465	3.450	2 ¹ / ₂ -12 U.N.	2-11 ¹ / ₂ N.P.T.F.	2.625	2.875	3.052	3000	1.780