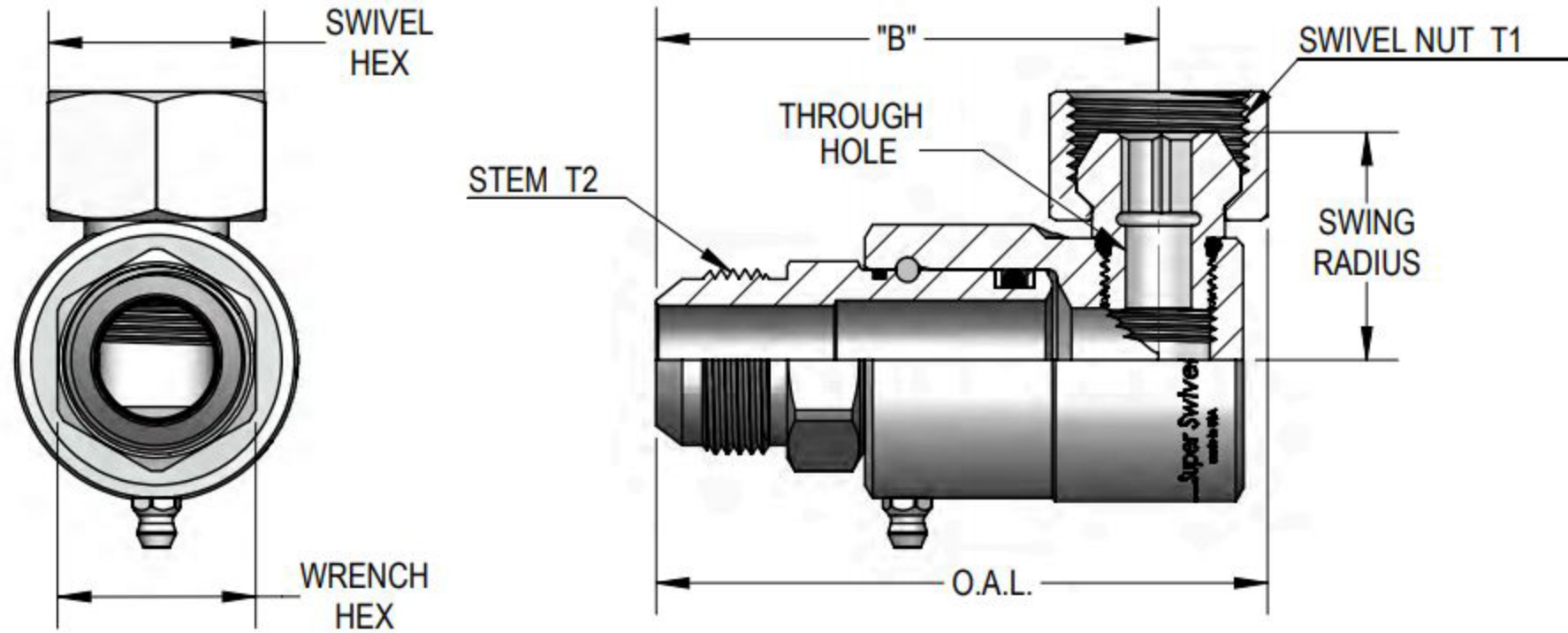


Male J.I.C. (37°) X Pipe Swivel (N.P.S.M.)



Not Available
In Stainless Steel!

PART NUMBER	O.A.L.	DIM. B	SWIVEL HEX	WRENCH/HEX	SWIVEL NUT T1	STEM T2	SWG. RADIUS	MAX. P.S.I.G.	THROUGH HOLE
9 SS 4 MJ 4 X PS 25	2.867	2.355	0.687	0.6.25	1/4-18 N.P.S.M.	7/16-20 U.N.	1.326	3500	0.172
9 SS 4 MJ 6 X PS 25	2.887	2.375	0.687	0.6.25	1/4-18 N.P.S.M.	9/16-18 U.N.	1.326	3500	0.218
9 SS 4 MJ 6 X PS 38	2.887	2.375	0.875	0.6.25	3/8-18 N.P.S.M.	9/16-18 U.N.	1.555	3500	0.250
9 SS 8 MJ 8 X PS 38	3.070	2.523	0.875	1.000	3/8-18 N.P.S.M.	3/4-16 U.N.	1.437	3500	0.327
9 SS 8 MJ 8 X PS 50	3.100	2.523	1.000	1.000	1/2-14 N.P.S.M.	3/4-16 U.N.	1.521	3500	0.390
9 SS 8 MJ 10 X PS 50	3.200	2.623	1.000	1.000	1/2-14 N.P.S.M.	7/8-14 U.N.	1.521	3500	0.390
9 SS 12 MJ 12 X PS 75	3.606	2.885	1.250	1.125	3/4-14 N.P.S.M.	1 1/16-12 U.N.	1.664	3500	0.521
9 SS 16 MJ 16 X PS 100	4.348	3.482	1.500	1.375	1-11 1/2 N.P.S.M.	15/16-12 U.N.	1.956	3500	0.590
9 SS 20 MJ 20 X PS 125	4.917	3.835	1.875	1.750	1 1/4-11 1/2 N.P.S.M.	15/8-12 U.N.	2.570	3500	0.906
9 SS 24 MJ 24 X PS 150	5.930	4.710	2.125	2.000	1 1/2-11 1/2 N.P.S.M.	1 7/8-12 U.N.	2.630	3500	1.040