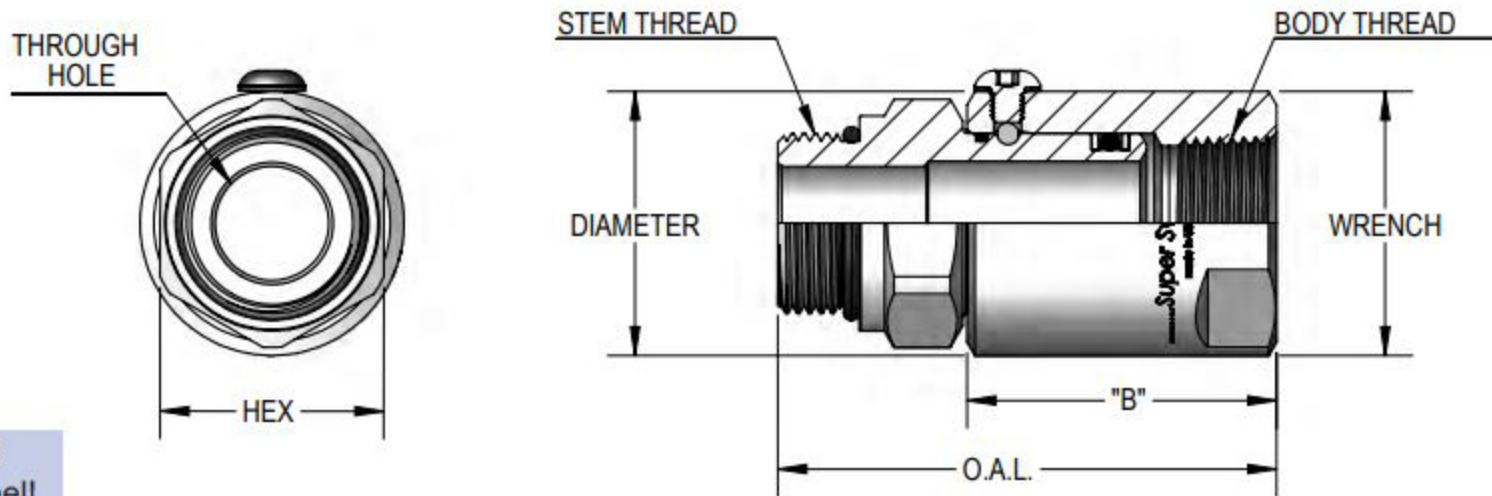


Male O-Ring (O.R.B.) X Female Pipe (N.P.T.F.)



Not Available
In Stainless Steel!

PART NUMBER	O.A.L.	DIM. B	STEM THREAD	BODY THREAD	HEX	DIAMETER	WRENCH	MAX P.S.I.G.	THROUGH HOLE
SS 4 MO 6 X FP 25	2.540	1.720	9/16-18 U.N.	1/4-18 N.P.T.F.	0.750	0.992	0.875	5000	0.250
SS 8 MO 8 X FP 38	2.510	1.550	3/4-16 U.N.	3/8-18 N.P.T.F.	1.000	1.292	1.125	5000	0.406
SS 8 MO 8 X FP 50	2.590	1.650	3/4-16 U.N.	1/2-14 N.P.T.F.	1.000	1.480	1.250	5000	0.406
SS 8 MO 10 X FP 50	2.710	1.650	7/8-14 U.N.	1/2-14 N.P.T.F.	1.000	1.480	1.250	5000	0.484
SS 12 MO 12 X FP 75	3.074	1.850	1 ⁵ / ₁₆ -12 U.N.	3/4-14 N.P.T.F.	1.375	1.675	1.500	4500	0.609
SS 16 MO 16 X FP 100	3.854	2.250	1 ⁵ / ₁₆ -12 U.N.	1-11 ¹ / ₂ N.P.T.F.	1.625	1.917	1.750	4000	0.827
SS 20 MO 20 X FP 125	4.150	2.685	1 ⁵ / ₈ -12 U.N.	1 ¹ / ₄ -11 ¹ / ₂ N.P.T.F.	1.875	2.357	2.125	4000	1.078
SS 24 MO 24 X FP 150	4.550	2.950	1 ⁷ / ₈ -12 U.N.	1 ¹ / ₂ -11 ¹ / ₂ N.P.T.F.	2.125	2.547	2.375	4000	1.312