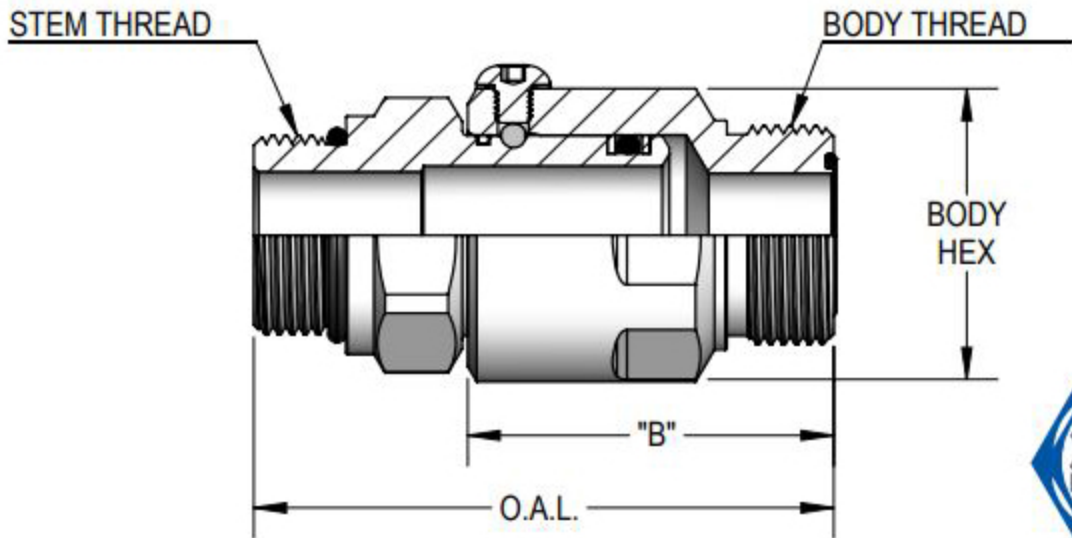
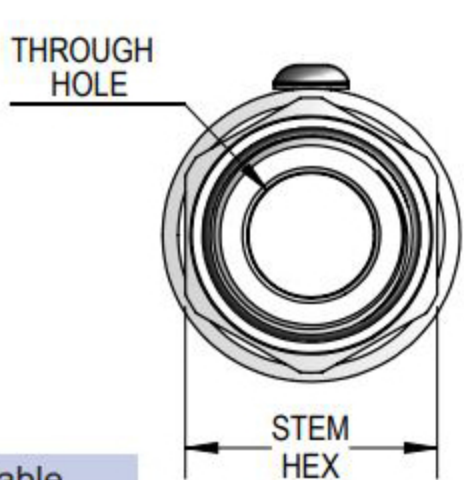


Male O-Ring (O.R.B.) X Male Face Seal (M.F.S.)



Not Available
In Stainless Steel!



PART NUMBER	O.A.L.	DIM. B	STEM THREAD	BODY THREAD	STEM HEX	BODY HEX/WRENCH	MAX P.S.I.G.	THROUGH HOLE
SS 4 MO 6 X MFS 6	2.460	1.640	9/16-18 U.N.	11/16-16 U.N.	0.750	1.000	5000	0.250
SS 8 MO 8 X MFS 8	2.647	1.709	3/4-16 U.N.	13/16-16 U.N.	1.000	1.375	5000	0.390
SS 8 MO 10 X MFS 10	2.875	1.815	7/8-14 U.N.	1-14 U.N.	1.000	1.375	5000	0.484
SS 12 MO 12 X MFS 12	3.124	1.900	1 ¹ / ₁₆ -12 U.N.	1 ³ / ₁₆ -12 U.N.	1.375	1.560	4500	0.609
SS 16 MO 16 X MFS 16	3.734	2.360	1 ⁵ / ₁₆ -12 U.N.	1 ⁷ / ₁₆ -12 U.N.	1.625	1.810	4000	0.811
SS 20 MO 20 X MFS 20	3.965	2.500	1 ⁵ / ₈ -12 U.N.	1 ¹¹ / ₁₆ -12 U.N.	1.875	2.188	4000	1.024
SS 24 MO 24 X MFS 24	4.645	3.050	1 ⁷ / ₈ -12 U.N.	2-12 U.N.	2.125	2.375	4000	1.312