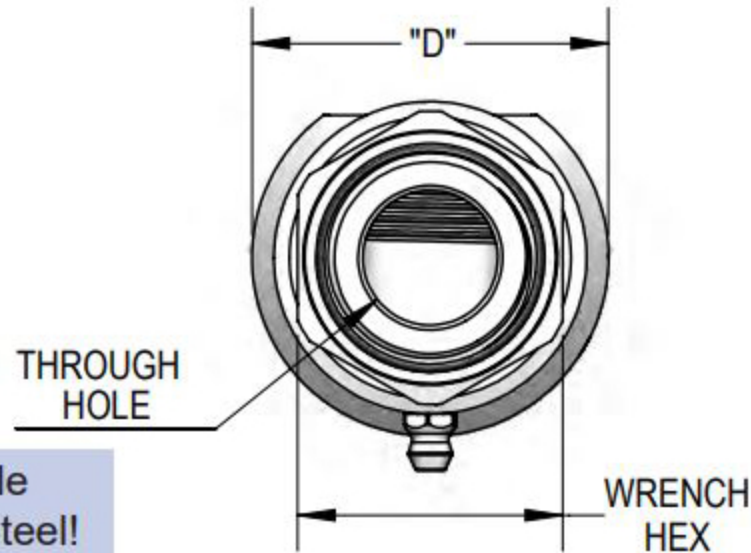
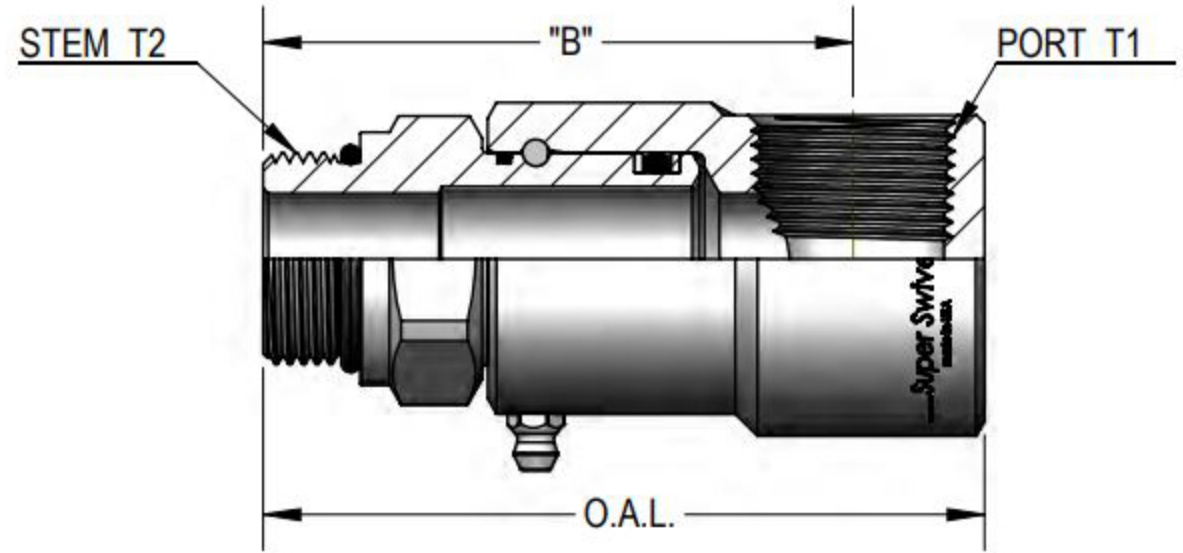


Male O-Ring (O.R.B.) X Female Pipe (N.P.T.F.)



Not Available
In Stainless Steel!



| PART NUMBER | O.A.L. | DIM. B | DIM. D Ø | WRENCH/HEX | PORT T1 | STEM T2 | SWG. RADIUS | MAX. P.S.I.G. | THROUGH HOLE |
|------------------------|--------|--------|----------|------------|--|---------------|-------------|---------------|--------------|
| 9 SS 4 MO 4 X FP 25 | 2.460 | 2.090 | 1.192 | 0.625 | 1/4-18 N.P.T.F. | 7/16-20 U.N. | 0.525 | 5000 | 0.172 |
| 9 SS 4 MO 6 X FP 25 | 2.460 | 2.090 | 1.192 | 0.750 | 1/4-18 N.P.T.F. | 9/16-18 U.N. | 0.525 | 5000 | 0.250 |
| 9 SS 8 MO 8 X FP 38 | 2.930 | 2.380 | 1.495 | 1.000 | 3/8-18 N.P.T.F. | 3/4-16 U.N. | 0.588 | 5000 | 0.391 |
| 9 SS 8 MO 10 X FP 38 | 3.050 | 2.500 | 1.495 | 1.000 | 3/8-18 N.P.T.F. | 7/8-14 U.N. | 0.588 | 5000 | 0.484 |
| 9 SS 8 MO 8 X FP 50 | 2.923 | 2.376 | 1.495 | 1.000 | 1/2-14 N.P.T.F. | 3/4-16 U.N. | 0.588 | 5000 | 0.391 |
| 9 SS 8 MO 10 X FP 50 | 3.045 | 2.498 | 1.495 | 1.000 | 1/2-14 N.P.T.F. | 7/8-14 U.N. | 0.588 | 5000 | 0.484 |
| 9 SS 12 MO 12 X FP 75 | 3.419 | 2.754 | 1.710 | 1.375 | 3/4-14 N.P.T.F. | 11/16-12 U.N. | 0.643 | 4500 | 0.609 |
| 9 SS 16 MO 16 X FP 100 | 4.424 | 3.616 | 2.162 | 1.625 | 1-11 ¹ / ₂ N.P.T.F. | 15/16-12 U.N. | 0.827 | 4000 | 0.827 |
| 9 SS 20 MO 20 X FP 125 | 4.833 | 3.865 | 2.702 | 1.875 | 1 ¹ / ₄ -11 ¹ / ₂ N.P.T.F. | 15/8-12 U.N. | 1.049 | 4000 | 1.078 |
| 9 SS 24 MO 24 X FP 150 | 6.105 | 4.875 | 2.917 | 2.125 | 1 ¹ / ₂ -11 ¹ / ₂ N.P.T.F. | 17/8-12 U.N. | 1.076 | 4000 | 1.312 |