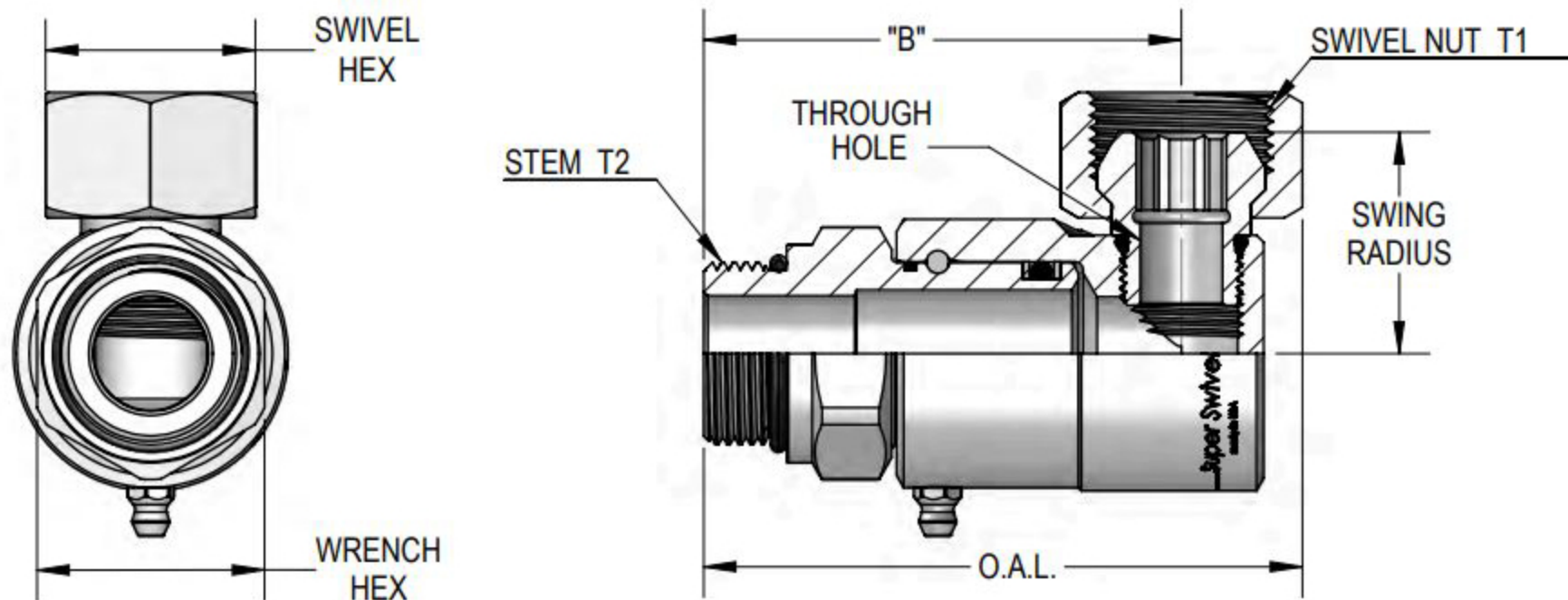


Male O-Ring (O.R.B.) X Pipe Swivel (N.P.S.M.)



Not Available
In Stainless Steel!

PART NUMBER	O.A.L.	DIM. B	SWIVEL HEX	WRENCH/HEX	SWIVEL NUT T1	STEM T2	SWG. RADIUS	MAX. P.S.I.G.	THROUGH HOLE
9 SS 4 MO 4 X PS 25	2.727	2.215	0.687	0.687	1/4-18 N.P.S.M.	7/16-20 U.N.	1.326	3500	0.172
9 SS 4 MO 6 X PS 25	2.727	2.215	0.687	0.750	1/4-18 N.P.S.M.	9/16-18 U.N.	1.326	3500	0.218
9 SS 4 MO 6 X PS 38	2.727	2.215	0.875	0.750	3/8-18 N.P.S.M.	9/16-18 U.N.	1.555	3500	0.250
9 SS 8 MO 8 X PS 38	2.923	2.376	0.875	1.000	3/8-18 N.P.S.M.	3/4-16 U.N.	1.437	3500	0.327
9 SS 8 MO 8 X PS 50	2.953	2.376	1.000	1.000	1/2-14 N.P.S.M.	3/4-16 U.N.	1.521	3500	0.327
9 SS 8 MO 10 X PS 50	3.075	2.498	1.000	1.000	1/2-14 N.P.S.M.	7/8-14 U.N.	1.521	3500	0.390
9 SS 12 MO 12 X PS 75	3.470	2.749	1.250	1.375	3/4-14 N.P.S.M.	1 ¹ / ₁₆ -12 U.N.	1.664	3500	0.521
9 SS 16 MO 16 X PS 100	4.276	3.411	1.500	1.625	1-11 ¹ / ₂ N.P.S.M.	1 ⁵ / ₁₆ -12 U.N.	1.956	3500	0.590
9 SS 20 MO 20 X PS 125	4.837	3.755	1.875	1.875	1 ¹ / ₄ -11 ¹ / ₂ N.P.S.M.	1 ⁵ / ₈ -12 U.N.	2.570	3500	0.906
9 SS 24 MO 24 X PS 150	5.750	4.540	2.125	2.125	1 ¹ / ₂ -11 ¹ / ₂ N.P.S.M.	1 ⁷ / ₈ -12 U.N.	2.630	3500	1.040