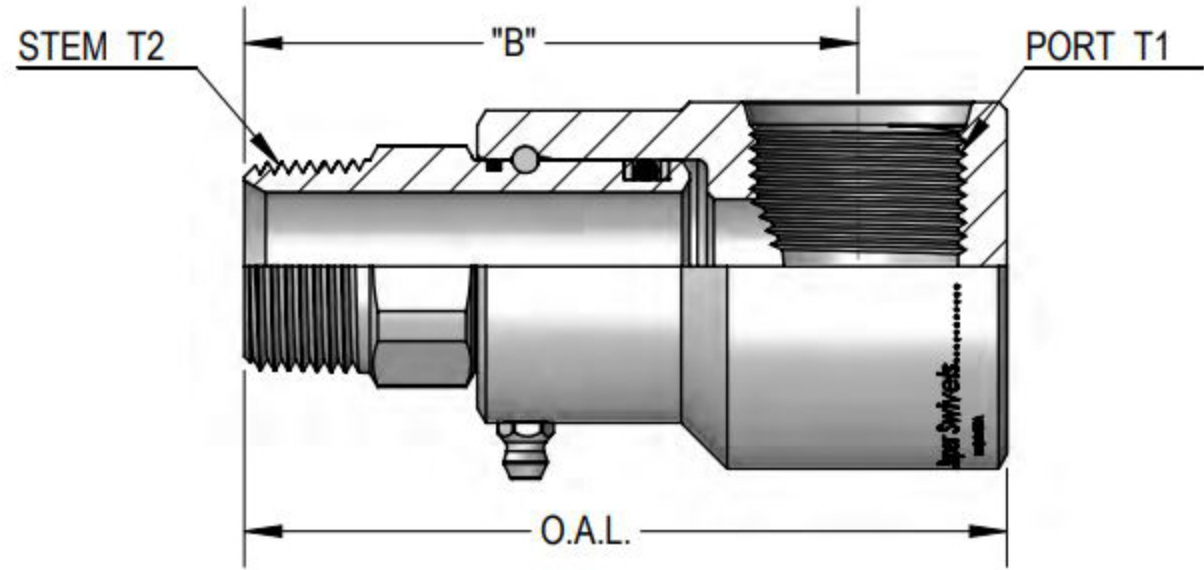
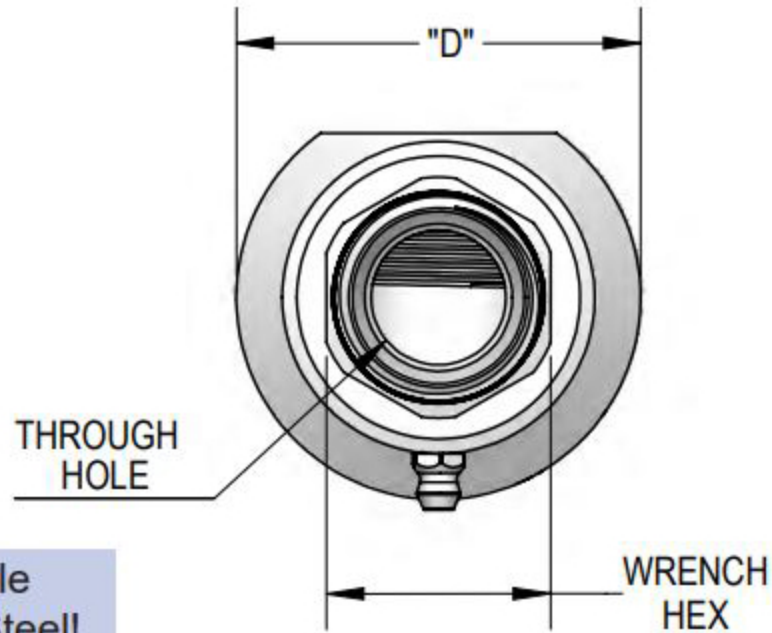


Male Pipe (N.P.T.F.) X Female O-Ring (O.R.B.)



Not Available
In Stainless Steel!

PART NUMBER	O.A.L.	DIM. B	DIM. D Ø	WRENCH/HEX	PORT T1	STEM T2	SWG. RADIUS	MAX. P.S.I.G.	THROUGH HOLE
9 SS 4 MP 25 X FO 6	2.640	2.130	1.292	0.625	9/16-18 U.N.	1/4-18 N.P.T.F.	0.541	5000	0.250
9 SS 4 MP 38 X FO 6	2.720	2.200	1.292	0.750	9/16-18 U.N.	3/8-18 N.P.T.F.	0.541	5000	0.250
9 SS 8 MP 38 X FO 8	3.100	2.550	1.662	1.000	3/4-16 U.N.	3/8-18 N.P.T.F.	0.703	5000	0.406
9 SS 8 MP 50 X FO 8	3.170	2.620	1.662	1.000	3/4-16 U.N.	1/2-14 N.P.T.F.	0.703	5000	0.530
9 SS 12 MP 75 X FO 12	3.720	2.895	2.172	1.125	1 1/16-12 U.N.	3/4-14 N.P.T.F.	0.900	4500	0.609
9 SS 16 MP 100 X FO 16	4.675	3.760	2.482	1.375	1 5/16-12 U.N.	1-11 1/2 N.P.T.F.	1.009	4000	0.827
9 SS 20 MP 125 X FO 20	5.167	4.084	2.977	1.750	1 5/8-12 U.N.	1 1/4-11 1/2 N.P.T.F.	1.184	4000	1.181