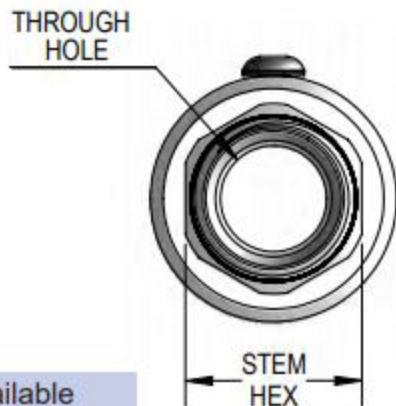
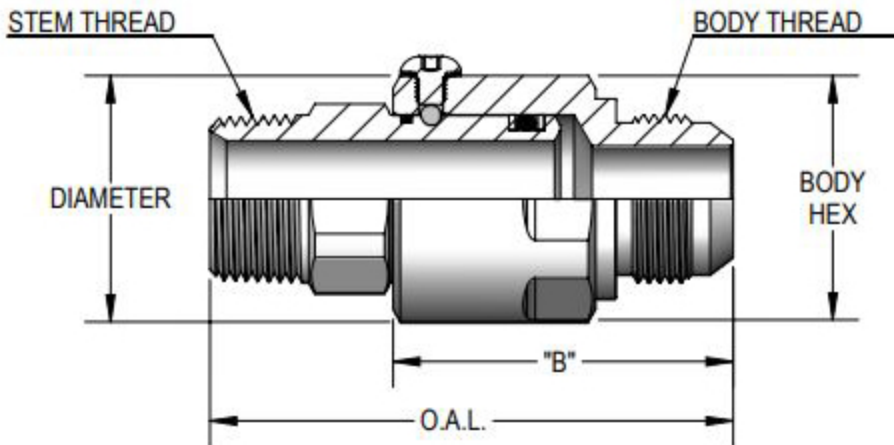


# Male Pipe (N.P.T.F.) X Male J.I.C. (37°)



Not Available  
In Stainless Steel!



PART NUMBER	O.A.L.	DIM. B	STEM THREAD	BODY THREAD	STEM HEX	BODY HEX/WRENCH	BODY DIA.	MAX P.S.I.G.	THROUGH HOLE
SS 4 MP 25 X MJ 4	2.450	1.720	1/4-18 N.P.T.F.	7/16-20 U.N.	0.625	1.000	HEX	5000	0.180
SS 4 MP 25 X MJ 6	2.450	1.720	1/4-18 N.P.T.F.	9/16-18 U.N.	0.625	1.000	HEX	5000	0.250
SS 4 MP 38 X MJ 6	2.530	1.720	3/8-18 N.P.T.F.	9/16-18 U.N.	0.750	1.000	HEX	5000	0.250
SS 8 MP 38 X MJ 8	3.010	1.900	3/8-18 N.P.T.F.	3/4-16 U.N.	1.000	1.375	1.480	5000	0.406
SS 8 MP 38 X MJ 10	3.160	2.050	3/8-18 N.P.T.F.	7/8-14 U.N.	1.000	1.375	1.480	5000	0.406
SS 8 MP 50 X MJ 8	3.090	1.900	1/2-14 N.P.T.F.	3/4-16 U.N.	1.000	1.375	1.480	5000	0.406
SS 8 MP 50 X MJ 10	3.230	2.050	1/2-14 N.P.T.F.	7/8-14 U.N.	1.000	1.375	1.480	5000	0.484
SS 12 MP 75 X MJ 12	3.360	2.125	3/4-14 N.P.T.F.	1 1/16-12 U.N.	1.125	1.560	1.675	4500	0.609
SS 16 MP 100 X MJ 16	4.075	2.650	1-11 1/2 N.P.T.F.	1 5/16-12 U.N.	1.375	1.810	1.917	4000	0.827
SS 20 MP 125 X MJ 20	4.355	2.850	1 1/4-11 1/2 N.P.T.F.	1 5/8-12 U.N.	1.750	2.188	2.357	4000	1.078
SS 24 MP 150 X MJ 24	5.119	3.444	1 1/2-11 1/2 N.P.T.F.	1 7/8-12 U.N.	2.000	2.375	2.557	4000	1.312
SS 32 MP 200 X MJ 32	5.690	4.090	2-11 1/2 N.P.T.F.	2 1/2-12 U.N.	2.500	2.875	3.052	3000	1.780