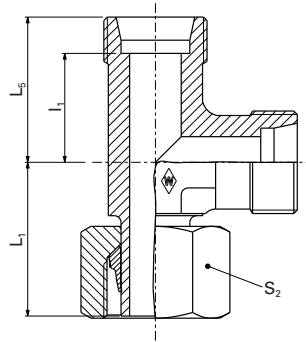


P-ELS ... -SV
P-ELS ...SV-1.4571



F

System nuts for supplementing the stud
(for technical data, see part D of this catalog)

Series	PN bar (psi)	Tube outer diameter	Model	kg/100 pc.	Art. no.	Stud	System nuts for supplementing the stud		Art. no.
						P-ELS ... -SV	Stud Stainless steel (1.4571) P-ELS ... -SV-1.4571	WALRING W-R ... VI	
L	500 (7252)	6	P-ELS 6 L-SV	4.0	WAL602911	WAL620609	WAL624607	WAL625940	WAL625980
		8	P-ELS 8 L-SV	4.4	WAL374931	WAL621253	WAL624608	WAL625941	WAL625981
		10	P-ELS 10 L-SV	6.0	WAL374932	WAL620599	WAL624609	WAL625942	WAL625982
	400 (5801)	12	P-ELS 12 L-SV	8.5	WAL602559	WAL620658	WAL624610	WAL625943	WAL625983
		15	P-ELS 15 L-SV	14.5	WAL374933	WAL621254	WAL624611	WAL625944	WAL625984
		18	P-ELS 18 L-SV	21.0	WAL602467	WAL620568	WAL624612	WAL625945	WAL625985
	250 (3626)	22	P-ELS 22 L-SV	25.6	WAL604092	WAL620636	WAL624613	WAL625946	WAL625986
		28	P-ELS 28 L-SV	41.5	WAL602583	WAL621255	WAL624614	WAL625947	WAL625987
S	800 (11603)	6	P-ELS 6 S-SV	6.0	WAL602998	WAL621257	WAL624617	WAL625950	WAL625990
		8	P-ELS 8 S-SV	7.5	WAL602999	WAL620348	WAL624618	WAL625951	WAL625991
		10	P-ELS 10 S-SV	10.5	WAL602913	WAL621258	WAL624619	WAL625952	WAL625992
	630 (9137)	12	P-ELS 12 S-SV	13.5	WAL602908	WAL621259	WAL624620	WAL625953	WAL625993
		14	P-ELS 14 S-SV	16.6	WAL606307	WAL621260			
		16	P-ELS 16 S-SV	24.0	WAL602910	WAL620570	WAL624621	WAL625954	WAL625994

⚠ Caution: The pressure specifications refer to the steel version. For the stainless steel version (1.4571), please refer to the pressure specifications on page B5.

Special parts are available on request.