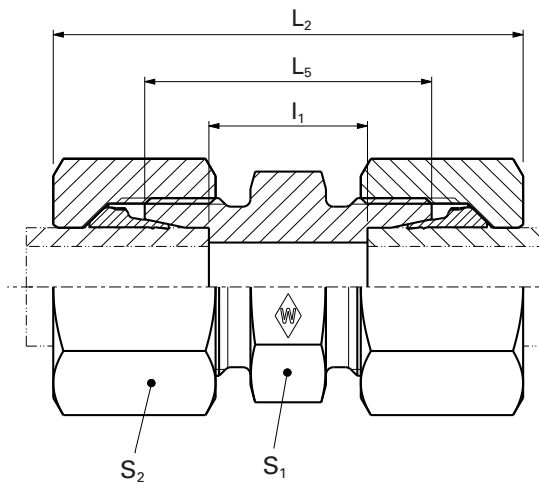


Straight fittings

P-GV ...

P-GV ... -1.4571



E

Series	PN bar (psi)	Tube outer diameter	Model	kg/ 100 pc.	L ₂	L ₅	L ₁	S ₁	S ₂	WALPRO P-GV ... Art. no.	WALPRO stainless steel P-GV ...-1.4571* Art. no.
LL	100 (1450)	4	S-GV 4 LL	1.4	31	20	12	9	10	WAL038557	WAL069960
		6	S-GV 6 LL	2.1	32	20	9	11	12	WAL038559	WAL066887
		8	S-GV 8 LL	2.6	35	23	12	12	14	WAL038560	WAL604827
L	500 (7252)	6	P-GV 6 L	3.5	39	24	10	12	14	WAL373362	WAL620055
		8	P-GV 8 L	4.9	40	25	11	14	17	WAL373363	WAL620056
		10	P-GV 10 L	6.9	42	27	13	17	19	WAL373364	WAL620057
	400 (5801)	12	P-GV 12 L	8.5	43	28	14	19	22	WAL373365	WAL620058
		15	P-GV 15 L	13.8	46	30	16	24	27	WAL373366	WAL620059
		18	P-GV 18 L	19.5	48	31	16	27	32	WAL373367	WAL620060
250 (3626)	22	P-GV 22 L	26.2	52	35	20	32	36	WAL373368	WAL620061	
	28	P-GV 28 L	31.5	54	36	21	41	41	WAL373369	WAL620062	
	35	P-GV 35 L	49.4	63	41	20	46	50	WAL373370	WAL620063	
S	800 (11603)	42	P-GV 42 L	49.4	66	43	20	46	50	WAL373371	WAL620064
		6	P-GV 6 S	5.9	45	30	16	14	17	WAL373372	WAL620065
		8	P-GV 8 S	7.8	47	32	18	17	19	WAL373373	WAL620066
	630 (9137)	10	P-GV 10 S	11.0	49	32	17	19	22	WAL373374	WAL620067
		12	P-GV 12 S	13.6	51	34	19	22	24	WAL373375	WAL620068
		14	P-GV 14 S	18.2	57	38	22	24	27	WAL373376	WAL621531
	420 (6091)	16	P-GV 16 S	22.3	57	38	21	27	30	WAL373377	WAL620069
		20	P-GV 20 S	34.7	66	44	23	32	36	WAL373378	WAL620070
		25	P-GV 25 S	66.9	74	50	26	41	46	WAL373379	WAL620071
		30	P-GV 30 S	80.9	80	54	27	46	50	WAL373380	WAL620072
	38	P-GV 38 S	119.4	90	61	29	55	60	WAL373381	WAL620073	

⚠ Caution: The pressure specifications refer to the steel version. For the stainless steel version (1.4571), please refer to the pressure specifications on page B5.

*Complete stainless steel fittings (1.4571) with silver-plated nut (AG/AGP), see price list

L₂= approximate dimension if the union nut is tightened

Special parts are available on request.