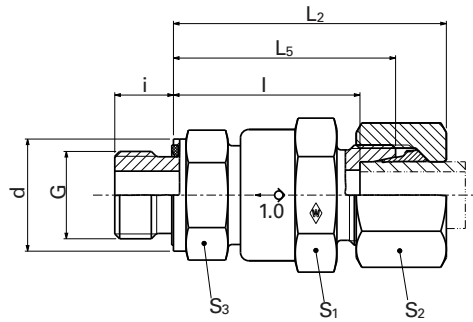


Male check valve

P-RVZ ... R-WD

P-RVZ ... R-WD-1.4571

- Flow to male studs
- with soft seal made from NBR** (e.g. Perbunan) for steel
- with soft seal made from FKM (e.g. Viton) for stainless steel (1.4571)
- Inch studs type E to DIN EN ISO 1179-2



WALPRO
Stainless steel
(1.4571)
P-RVZ ... R-WD-
1.4571*

WALPRO
P-RVZ...
R-WD

Series	PN bar (psi)	Tube outer diameter	DIN-ISO 228 (R..., DIN 259) G	Model	kg/100 pc.	d	L ₂	L ₅	L	i	S ₁	S ₂	S ₃	Ø of outlet	Art. no.	Art. no.
L	400 (5801)	6	G 1/8 A	P-RVZ 6 LR-WD	11.5	13.9	50.5	43	36	8	22	14	27	4.0	WAL374024	WAL621634
		8	G 1/4 A	P-RVZ 8 LR-WD	13.5	18.9	50.5	43	36	12	22	17	27	6.0	WAL374025	WAL621638
		10	G 1/4 A	P-RVZ 10 LR-WD	12.8	18.9	48.5	41	34	12	22	19	27	6.0	WAL374026	WAL621602
		12	G 3/8 A	P-RVZ 12 LR-WD	16.9	21.9	53.5	46	39	12	22	22	27	7.5	WAL374027	WAL621606
		15	G 1/2 A	P-RVZ 15 LR-WD	23.7	26.9	56	48	41	14	27	27	32	11.0	WAL374028	WAL621612
	250 (3626)	18	G 1/2 A	P-RVZ 18 LR-WD	28.9	26.9	61.5	53	45.5	14	27	32	32	11.0	WAL374029	WAL621616
		22	G 3/4 A	P-RVZ 22 LR-WD	54.4	31.9	69.5	61	53.5	16	46**	36	41**	18.0	WAL374030	WAL621620
		28	G 1 A	P-RVZ 28 LR-WD	64.4	39.9	71	62	54.5	18	46**	41	41**	20.0	WAL374031	WAL621624
		35	G 1 1/4 A	P-RVZ 35 LR-WD	155.5	49.9	88.5	77.5	67	20	60	50	70	29.0	WAL374032	WAL621628
		42	G 1 1/2 A	P-RVZ 42 LR-WD	161.2	54.9	87.5	75.5	64.5	22	60	60	70	29.0	WAL604475	WAL621632
S	400 (5801)	6	G 1/4 A	P-RVZ 6 SR-WD	13.3	18.9	52.5	45	38	12	22	17	27	4.0	WAL374033	WAL621636
		8	G 1/4 A	P-RVZ 8 SR-WD	13.8	18.9	50.5	43	36	12	22	19	27	5.0	WAL374034	WAL621640
		10	G 3/8 A	P-RVZ 10 SR-WD	15.5	21.9	53.5	45	37.5	12	22	22	27	7.0	WAL374035	WAL621604
		12	G 3/8 A	P-RVZ 12 SR-WD	18.1	21.9	55.5	47	39.5	12	22	24	27	7.5	WAL374036	WAL621608
		14	G 1/2 A	P-RVZ 14 SR-WD	27.7	26.9	59.5	50	42	14	27	27	32	10.0	WAL374037	WAL621610
	250 (3626)	16	G 1/2 A	P-RVZ 16 SR-WD	28.3	26.9	62.5	53	44.5	14	27	30	32	11.0	WAL374038	WAL621614
		20	G 3/4 A	P-RVZ 20 SR-WD	56.8	31.9	73	62	51.5	16	46**	36	41**	16.0	WAL374039	WAL621618
		25	G 1 A	P-RVZ 25 SR-WD	74.8	39.9	77	65	53	18	46**	46	41**	20.0	WAL374040	WAL621622
		30	G 1 1/4 A	P-RVZ 30 SR-WD	105.3	49.9	87	74	60.5	20	50	50	55	24.0	WAL374041	WAL621626
		38	G 1 1/2 A	P-RVZ 38 SR-WD	200.4	54.9	96	81.5	65.5	22	60	60	70	29.0	WAL374042	WAL621630

⚠ Caution: The pressure specifications refer to the steel version. For the stainless steel version (1.4571), please refer to the pressure specifications on page B5.

⚠ Caution: The dimensions of the stainless steel version deviate from the specified check-valve dimensions.

*Complete stainless steel fittings (1.4571) with silver-plated nut (AG/AGP), see price list

L₂= approximate dimension if the union nut is tightened

**For FPM (e.g. Viton) see price list / available on request

Art. no. of WALPRO P-RVZ ... R-WD (steel) with different opening pressures

Series	PN bar (psi)	Tube outer diameter	Model**	Art. no.			
				0.1 bar	0.5 bar	2.0 bar	3.0 bar
L	400 (5801)	6	P-RVZ 6 LR-WD /xx	WAL607749	WAL609950		WAL601143
		8	P-RVZ 8 LR-WD /xx	WAL604073	WAL604497		
		10	P-RVZ 10 LR-WD /xx	WAL608985	WAL602568	WAL610269	WAL607945
		12	P-RVZ 12 LR-WD /xx	WAL605404	WAL605653	WAL612357	WAL606312
		15	P-RVZ 15 LR-WD /xx	WAL605624	WAL604965		WAL613260
	250 (3626)	18	P-RVZ 18 LR-WD /xx	WAL606805	WAL604016	WAL605504	WAL611655
		22	P-RVZ 22 LR-WD /xx	WAL605671	WAL605197		WAL604301
		28	P-RVZ 28 LR-WD /xx	WAL604862	WAL604890	WAL605873	WAL602658
		35	P-RVZ 35 LR-WD /xx		WAL604938		
		42	P-RVZ 42 LR-WD /xx		WAL609892	WAL606053	WAL610012
S	400 (5801)	10	P-RVZ 10 SR-WD /xx	WAL608624	WAL610718		
		12	P-RVZ 12 SR-WD /xx			WAL604473	WAL605001
	250 (3626)	16	P-RVZ 16 SR-WD /xx	WAL605584			WAL604434
		20	P-RVZ 20 SR-WD /xx	WAL604977	WAL608097		WAL604570
		25	P-RVZ 25 SR-WD /xx		WAL623998	WAL606992	WAL604823
		30	P-RVZ 30 SR-WD /xx		WAL605560	WAL606261	WAL608322
		38	P-RVZ 38 SR-WD /xx		WAL605684	WAL605542	WAL606774

**e.g. P-RVZ 6LR-WD / 0.1