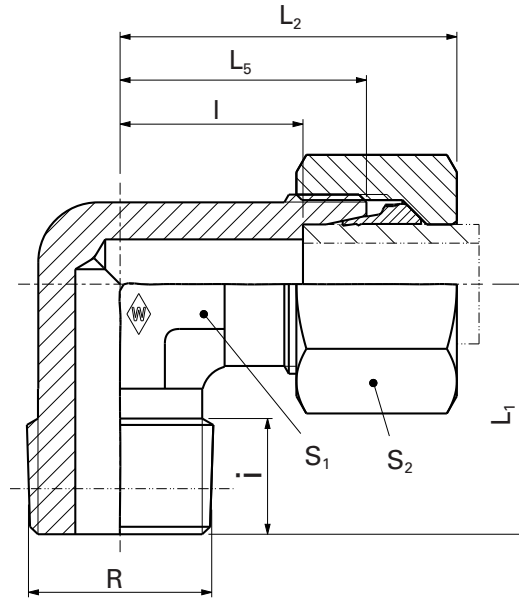


# Male elbow fittings

## P-WEV ... RK

### P-WEV ... RK-1.4571

- Tapered studs type C to DIN 3852-2 with Whitworth thread



E

Series	PN bar (psi)	Tube outer diameter	Model	kg/100 pc.	R	L <sub>1</sub>	L <sub>2</sub>	L <sub>5</sub>	I	i	S <sub>1</sub>	S <sub>2</sub>	WALPRO P-WEV ...	WALPRO stainless steel P-WEV ...-1.4571*
													Art. no.	Art. no.
LL	100 (1450)	4	S-WEV 4 LLRK	2.1	R 1/8 taper	17	21	15	11	8	11	10	WAL038408	WAL616401
		6	S-WEV 6 LLRK	2.4	R 1/8 taper	17	21	15	9.5	8	11	12	WAL038410	WAL061404
		8	S-WEV 8 LLRK	3.4	R 1/8 taper	20	23	17	11.5	8	12	14	WAL038411	WAL065330
L	250 (3626)	6	P-WEV 6 LRK	4.0	R 1/8 taper	20	27	19	12	8	12	14	WAL373195	WAL620034
		6	P-WEV 6 L/R 1/4 K	6.0	R 1/4 taper	26	29	21	14	12	14	14	WAL373196	WAL620169
		8	P-WEV 8 LRK	6.6	R 1/4 taper	26	29	21	14	12	14	17	WAL373197	WAL620035
		10	P-WEV 10 LRK	8.3	R 1/4 taper	27	30	22	15	12	17	19	WAL373198	WAL620036
		10	P-WEV 10 L/R 3/8 K	9.0	R 3/8 taper	27	30	22	15	12	17	19	WAL373199	WAL620347
		12	P-WEV 12 L/R 1/4 K	11.4	R 1/4 taper	28	32	24	17	12	19	22	WAL373200	WAL620170
		12	P-WEV 12 LRK	11.8	R 3/8 taper	28	32	24	17	12	19	22	WAL373201	WAL620037
		15	P-WEV 15 LRK	13.0	R 1/2 taper	34	36	28	21	14	19	27	WAL373202	WAL620038
		160 (2321)	18	P-WEV 18 LRK	16.6	R 1/2 taper	36	40	31	23.5	14	24	32	WAL373203
S	630** (9137)	6	P-WEV 6 SRK	7.2	R 1/4 taper	26	31	23	16	12	14	17	WAL373204	WAL620040
		8	P-WEV 8 SRK	8.8	R 1/4 taper	27	32	24	17	12	17	19	WAL373205	WAL620041
		10	P-WEV 10 SRK	13.4	R 3/8 taper	28	34	25	17.5	12	19	22	WAL373206	WAL620042
		12	P-WEV 12 SRK	16.5	R 3/8 taper	28	38	29	21.5	12	22	24	WAL373207	WAL620043
		14	P-WEV 14 SRK	15.3	R 1/2 taper	32	40	30	22	14	19	27	WAL373208	WAL621648
400 (5801)	16	P-WEV 16 SRK	17.9	R 1/2 taper	32	43	33	24.5	14	24	30	WAL373209	WAL620044	

**⚠ Caution:** The pressure specifications refer to the steel version. For the stainless steel version (1.4571), please refer to the pressure specifications on page B5.

\*Complete stainless steel fittings (1.4571) with silver-plated nut (AG/AGP), see price list

L<sub>2</sub>= approximate dimension if the union nut is tightened

\*\*The nominal pressure of 630 bar only applies to tapered ports; otherwise, the nominal pressure is 400 bar

Special parts are available on request.