

PRODUCTS

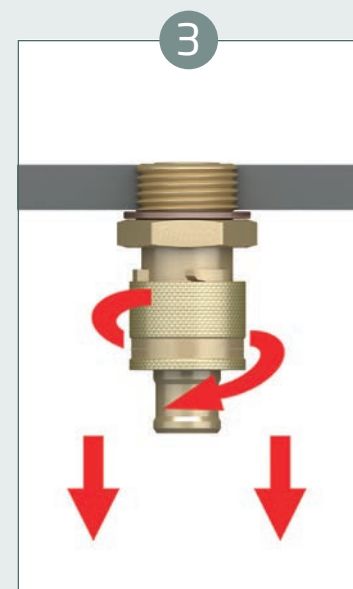
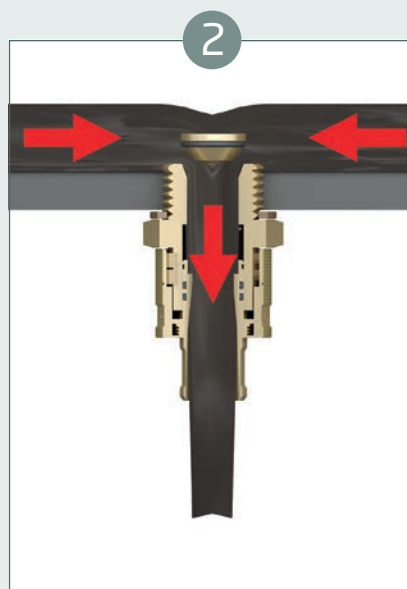
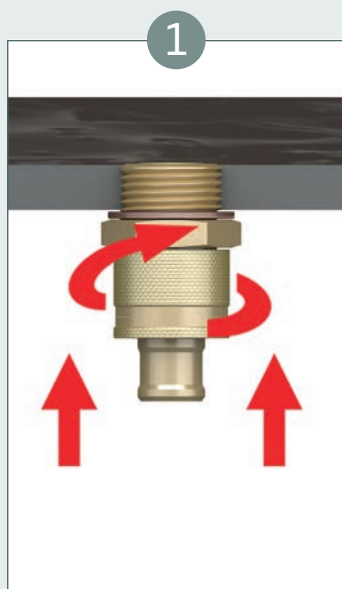
QUICK DRAIN PLUG

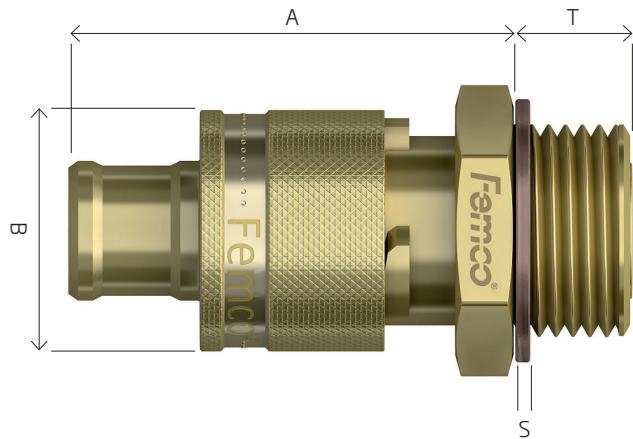
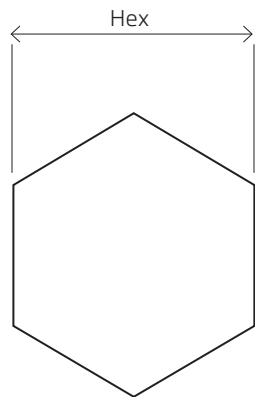
The Quick Drain is a two-in-one solution which combines a plug with a drain connector. When it's time to perform an oil change, simply 'push and turn'.

You can simply use the oil drain valve without using any specialist tools. In addition to this it is easy to take oil samples using the Quick Drain. The Quick Drain oil drain valve also incorporates a locking system to ensure an effective seal.



HOW TO DRAIN YOUR OIL (OR OTHER FLUIDS)





METR. SIZES						
Thread size	Item number	T	A	B	S	Hex
M12x1.25	6190010001	10	48	14	2	27
M12x1.75	6190010004	10	48	14	2	27
M12x1.5	6190010009	10	48	14	2	27
M14x1.25	6190010012	10	48	14	2	27
M14x1.5	6190010006	10	48	14	2	27
M16x1.5	6190010010	10	48	14	2	27
M18x1.5	6190010015	14	49	14	2	27
M20x1.5	6190010016	10	48	14	2	27
M22x1.5	6190010019	10	48	14	2	27
M22x1.5	6190010021	15	48	14	2	27
M27x2,0	6190010035	12	46	14	2	27

NPT						
Thread size	Item number	T	A	B	S	Hex
½-14-NPT	6160010002	12	46	14	n/a	27
¾-18-NPT	6160010003	10	48	14	n/a	27

UNF						
Thread size	Item number	T	A	B	S	Hex
¾-16-UNF	6180010007	10	48	14	2	27
¾-16-UNF	6180010008	15	48	14	2	27
½-20-UNF	6180010001	10	48	14	2	27

BSP						
Thread size	Item number	T	A	B	S	Hex
½-14-BSP	6170010001	10	48	14	2	27
¾-19-BSP	6170010008	10	48	14	2	27