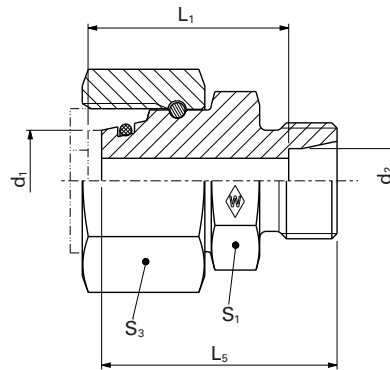


REDSDN ... / ... REDSD ... / ...-1.4571



H

System nuts for supplementing the stud
(for technical data, see part D of this catalog)

PN bar (psi)	d1	Tube outer diameter d ₂	Model	kg/ 100 pc.	Stud	Stud	WALRING W-R ... VI	WALFORM WF-M ... VI	WALFORM stainless steel WF-M ... VI-1.4571*
					REDSDN ... / ...	Stainless steel (1.4571) REDSD ... / ... VI-1.4571*			
420 (6091)	30	6	REDSDN 30/6 S	40.5	WAL619103	WAL618450	WAL624617	WAL625950	WAL625990
		8	REDSDN 30/8 S	41.0	WAL619104	WAL618451	WAL624618	WAL625951	WAL625991
		10	REDSDN 30/10 S	41.5	WAL619105	WAL618452	WAL624619	WAL625952	WAL625992
		12	REDSDN 30/12 S	41.5	WAL619106	WAL618453	WAL624620	WAL625953	WAL625993
		14	REDSDN 30/14 S	47.0	WAL619107	WAL618454			
		16	REDSDN 30/16 S	41.5	WAL619108	WAL618455	WAL624621	WAL625954	WAL625994
		20	REDSDN 30/20 S	43.0	WAL619109	WAL067815	WAL624622	WAL625955	WAL625995
	25	REDSDN 30/25 S	46.0	WAL619110	WAL618456	WAL624623	WAL625956	WAL625996	
	38	6	REDSDN 38/6 S	57.0	WAL619111	WAL618457	WAL624617	WAL625950	WAL625990
		8	REDSDN 38/8 S	57.5	WAL619112	WAL618458	WAL624618	WAL625951	WAL625991
10		REDSDN 38/10 S	58.0	WAL619113	WAL618459	WAL624619	WAL625952	WAL625992	
12		REDSDN 38/12 S	57.5	WAL619114	WAL618460	WAL624620	WAL625953	WAL625993	
14		REDSDN 38/14 S	67.2	WAL619115	WAL618461				
16		REDSDN 38/16 S	58.5	WAL619116	WAL618462	WAL624621	WAL625954	WAL625994	
20		REDSDN 38/20 S	59.0	WAL619117	WAL618463	WAL624622	WAL625955	WAL625995	
25	REDSDN 38/25 S	61.0	WAL619118	WAL618464	WAL624623	WAL625956	WAL625996		
	30	REDSDN 38/30 S	67.5	WAL619119	WAL067816	WAL624624	WAL625957	WAL625997	

⚠ Caution: The pressure specifications refer to the steel version. For the stainless steel version (1.4571), please refer to the pressure specifications on page B5.