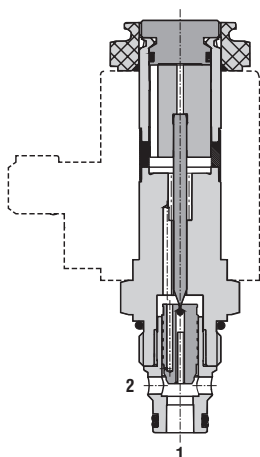


2/2 Directional Valve, Solenoid Operated, Poppet Type, Piloted

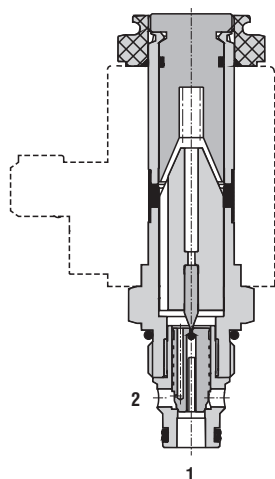
SD3E-A2

3/4-16 UNF • Q_{max} 30 l/min (8 GPM) • p_{max} 420 bar (6100 PSI)

Normally Open



Normally Closed



Technical Features

- › Hardened precision parts
- › High flow capacity and leak-free closing
- › High transmitted hydraulic power up to 420 bar
- › Lightline design 250 bar with reduced solenoid power for production cost saving
- › Normally open and normally closed version
- › Wide range of manual overrides available
- › All ports may be fully pressurized
- › Coil interchangeability among SD*- A* product line
- › Standard version zinc-coated with surface protection acc. to ISO 9227 (240 h salt spray)

Functional Description

2/2 screw-in cartridge poppet valve, pilot operated. The one-directional valve with 3/4-16 UNF connection thread is designed for on-off flow control with leak-free closing in 2→1 flow direction. In the opposite flow direction the valve is opened by fluid pressure.

Model Code	2O2	2L2
Symbol		

Technical Data

Valve size / Cartridge cavity		3/4-16 UNF-2A / A2 (C-8-2)	
		Lightline	High performance
Max. flow	l/min (GPM)	30 (7.9)	30 (7.9)
Max. operating pressure	bar (PSI)	250 (3630)	420 (6090)
Fluid temperature range (NBR)	°C (°F)	-30...60 (-22...140)	-30...80 (-22...176)
Fluid temperature range (FPM)	°C (°F)	-20...60 (-4...140)	-20...80 (-4...176)
Ambient temperature range	°C (°F)	-30...50 (-22...122)	-30...80 (-22...176)
Supply voltage tolerance	%	DC: ± 10	AC, DC: ± 15
Max. switching frequency	1/h	15 000	
Weight without coil	kg (lbs)	0.12 (0.26)	0.20 (0.44)
General information		Type	
Datasheet		GI_0060	
Products and operating conditions		C14B*	
Coil types		C_8007	C19B*
Valve bodies	In-line mounted	SB_0018	SB-A2*
	Sandwich mounted	SB-04(06)_0028	SB-*A2*
Cavity details / Form tools		SMT_0019	
Spare parts		SP_8010	

Characteristics measured at $v = 32 \text{ mm}^2/\text{s}$ (156 SUS)

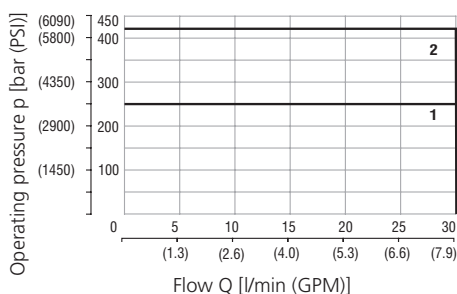
Operating limits - Lightline + High performance

- L - Oil 60 °C (140 °F) / Ambient temperature / 50 °C (122 °F) / Voltage U_n -10% (21.6 VDC)
- HP - Oil 80 °C (176 °F) Ambient temperature / 50 °C (122 °F) / Voltage U_n -10% (21.6 VDC)

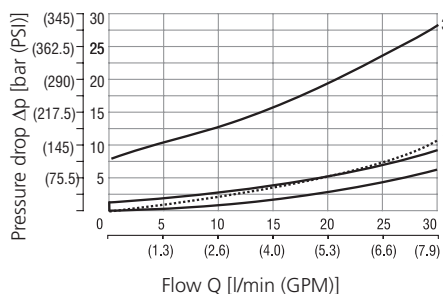
Pressure drop related to flow rate

- Lightline

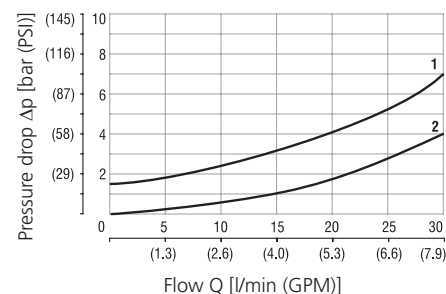
- High performance



	Model	Connection
1	L2L2	1→2, 2→1
1	L2O2	1→2, 2→1
2	H2L2	1→2, 2→1
2	H2O2	1→2, 2→1



	Model	Connection	Solenoid
1	L2L2	1→2	on
1	L2L2	2→1	on
1	L2O2	2→1	off
2	L2L2	1→2	off
3	L2O2	1→2	on
4	L2O2	1→2	off

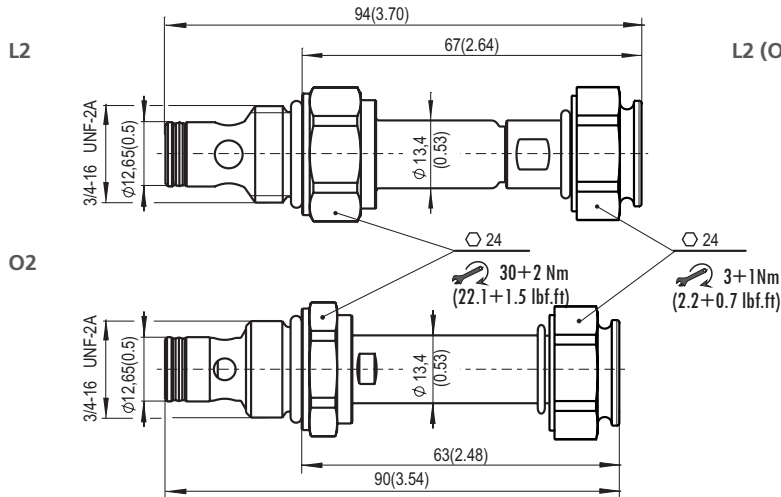


	Model	Connection	Solenoid
1	H2L2	1→2	off
2	H2L2	1→2	on
2	H2L2	2→1	on
2	H2O2	1→2	off
2	H2O2	2→1	off
2	H2O2	1→2	on

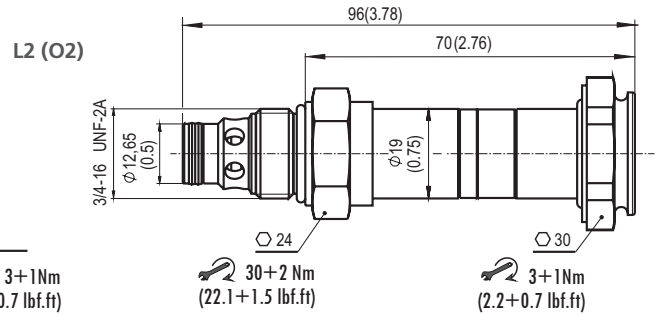
For operating limits under conditions and flow directions other than shown contact our technical support.

Dimensions in millimeters (inches)

Lightline



High performance



Manual Override in millimeters (inches)

*Only for High performance version

No designation* - standard for 2O2	Designation M2 for 2O2* - rubber boot protected	Designation M5 for 2O2* - socket head screw, size 2.5	Designation M9 for 2O2 - without manual override
 ~ 70.0 (2.76)	 ~ 81,5 (3.21)	 ~ 77,6 (3.06)	 H ~ 70.0 (2.76) L ~ 90.0 (3.54)
Designation M7 for 2L2* - removable handwheel with locking**	Designation M4 for 2L2* - hand screw	Designation M5 for 2L2* - socket head screw, size 2.5	Designation M9 for 2L2 - without manual override
 H ~ 96(3.78) Torque to tighten screw of handwheel after coil mounting: 2,8+0,2 Nm (2,1+0,1 lbf.ft)	 ~ 88.8 (3.50)	 ~ 88.8 (3.50)	 H ~ 70.0 (2.76) L ~ 94.0 (3.70)
**Basic position 1 of the M7 manual override Spool of valve is operated by solenoid.	**Position 2 of the M7 manual override Spool of the valve is shifted by handwheel and locked in this position.		

In case of solenoid malfunction or power failure, the spool of the valve can be shifted by manual override as long as the pressure in port T does not exceed 25 bar (363 PSI). For alternative manual overrides contact our technical support.

Ordering Code

SD3E-A2 / -

2/2 directional valve, solenoid operated, poppet type, piloted

Valve cavity
3/4-16 UNF (C-8-2)

Lightline **L**
High performance **H**

Functional symbol

2O2
2L2

Surface treatment
A zinc-coated (ZnCr-3), ISO 9227 (240 h)
B zinc-coated (ZnNi), ISO 9227 (520 h)*

Seals
No designation **V**
NBR
FPM (Viton)*

Manual override
No designation
M2 standard for 2O2*
M4 rubber boot protected*
M5 hand screw*
M7 socket head screw*
M9 removable handwheel with locking*
without manual override

*Only for High performance version