

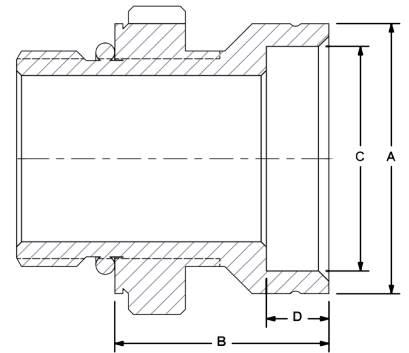
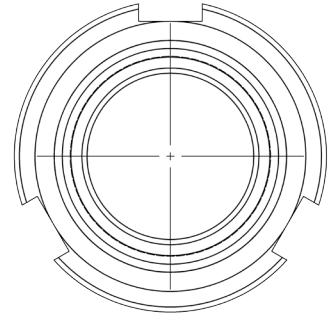
# SSW Swivel Socket Weld

Pipe/Tube to SAE/BSP thread ~ Sizes from 3/4" to 6"



The SSW Swivel Socket Weld adapter is the namesake of the SSW product family. Available with SAE O-Ring, and BSP.

- Swivel design with lock ring permits precise alignment on threaded side after weld is complete.
- Valves can be absent during welding to eliminate contamination and heat damage.
- Reduced skilled labor requirement and improved repeatability for all skill classes.
- Made in U.S.A. for fast delivery and top quality.



SSW		Socket Weld to SAE/BSP Thread, Swivel			
Port Codes	Port Size	Dimensions IN			
		A	B	C	D
W4 HT MP MT S B	3/4"	1.38	1.27	1.09	0.38
	1"	1.63	1.28	1.35	0.38
	1 1/4"	2.00	1.40	1.69	0.38
	1 1/2"	2.25	1.40	1.95	0.38
	2"	2.75	1.40	2.41	0.38
	2 1/2"	3.38	1.46	2.91	0.38
	3"	4.00	1.65	3.54	0.50
	4"	5.00	1.65	4.54	0.50

## Ordering Codes

SSW - \*\* W4 - \*\* S - 1 1

O-Ring Elastomer	
Code	Description
1	Buna-N (standard)
2	Ethylene Propylene "EPR"
3	Viton

First Size Code	
Code	Port Size
07	3/4" - Call
10	1"
12	1 1/4"
15	1 1/2"
20	2"
25	2 1/2"
30	3"
40	4"
50	5" - Call
60	6" - Call

Socket Weld Side	
Code	Description
W4	Sch. 40 Pipe (standard)
HT	Hyd Tube (SAE J524 Type)
MP	Metric Pipe
MT	Metric Tube

Choose Adapter Size  
Replace \*\* with the desired adapter size.  
Two different size codes selects step size option.

Second Size Code	
Code	Port Size
07	3/4" - Call
10	1"
12	1 1/4"
15	1 1/2"
20	2"
25	2 1/2"
30	3"
40	4"
50	5" - Call
60	6" - Call

Thread Side	
Code	Description
S	SAE ORB (Standard)
B	BSP

Adapter Material	
Code	Description
1	Low Carbon Steel
2	Stainless Steel

Alternate Thread Standard  
Replace "S" SAE ORB standard thread connection with a choice from the "Thread Side" Table. Please call to confirm price and availability.

Alternate Weld Connection Standard  
Replace the "W4" standard weld connection with a choice from the "Weld Side" table. Please call to confirm price and availability.

