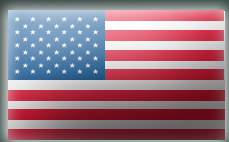


The logo for DMIC features the letters 'D', 'M', and 'I' in red and 'C' in blue, with a red dot above the 'i'. The letters are superimposed on a glowing, semi-transparent image of the Earth, which is centered in the upper half of the page. The background is dark, with a spotlight effect on the Earth.

DMIC



**SUBSEA
FLANGES**



SUBSEA FLANGES

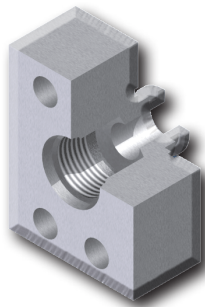


The Complete Array of U.S. Made "SealSub" equivalent, 316/316L Stainless Steel Dual Seal Flange Adapters for Subsea Applications

Due to our policy of continual product improvement, the specifications in this catalog may change without notice. When designing by spec, please request a certified print.

DMIC Subsea Flanges, colloquially dubbed "Seal Subs" are the U.S. made choice when reliable deliveries, available DFAR compliance, and superlative design/manufacturing integrity are important criterion for your project. The DMIC Subsea flange series is derivative of the DMIC SAE J518 C.62 6000 PSI flanges we've supplied for decades, optimized for subsea use with 316/316L construction and dual radial + face seal elastomer elements. DMIC's offering bridges the proven design of boutique Subsea technology, with the characteristic quality of DMIC Fluid Power flanges you've come to trust. Choosing DMIC eliminates the potential delays, material uncertainties, and supply chain risk of an offshore made product.

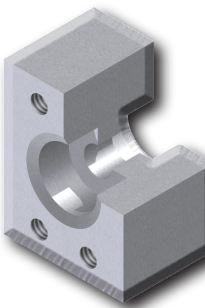
DMIC Subsea Flanges, while relatively new as a catalog item, arrive to the mainstream with years of pedigree from DMIC's experience working with renowned Distributors in subsea applications. DMIC's Subsea Ball Valves have been used in the most demanding and challenging applications around the world and have been seen firsthand on TV via undersea cameras by over a billion laymen consumers on every global news network, beginning in 2010.



FDS-SMP/FDS-CMP "Std Male Plug" & "Companion Male Plug" Subsea Flanges

Industry Standard Dual Seal Element Radial/Face Seal, Standard & Companion, 316SS Construction, 6000 PSI

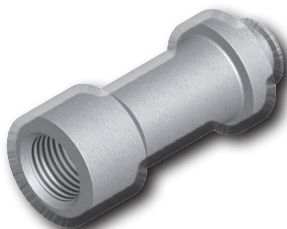
FDS-*MP	Standard/Companion Subsea Flanges, Male Plug	4
FDS-*MP	Ordering Codes	4
FDS-*MP	Dimensional Views	5



FDS SFP/FDS-CFP "Std Female Plug" & "Companion Female Plug" Subsea Flanges

Industry Standard Dual Seal Element Radial/Face Seal, Standard & Companion, 316SS Construction, 6000 PSI

FDS-*FP	Standard/Companion Subsea Flanges, Female Plug	6
FDS-*FP	Ordering Codes	6
FDS-*FP	Dimensional Views	7



RDS Round Subsea Adapters with C.62 Split Flange Head

Adapts Subsea Flanges to ordinary Code 62 Split Flange Head connections, 316SS Construction, 6000 PSI

RDS-*MP	C.62 Split Flange Head to Male Plug Adapters	8
RDS-*MP	Ordering Codes	8
RDS-*MP	Dimensional Views	9-10



NOMENCLATURE AND INTERCHANGE GUIDELINES

DMIC Subsea Flanges are interchangeable with SAE J518 flange product adaptations of other manufacturers for subsea use. In the table below, commonly found product codes of other manufacturers are cross-referenced to the Series Codes of DMIC Subsea Flanges for convenience. DMIC also offers Factory Approved Stainless Steel Hardware Kits. If your requirement is not published, please call the DMIC Factory at 1-800-248-DMIC or +1.716.743.4360.

Male Plug		Tube Socket Weld Female Plug		Round Fixed Nose Adapter Plug	
Competitors Part #	DMIC Part #	Competitors Part #	DMIC Part #	Competitors Part #	DMIC Part #
SUBM-38D-8-8	FDS-05SMP-21	SUBF-63D/T-8-8	FDS-05S/CFP-05WT-21	SUB-08FOPX	RDS-05MP-21
SUBM-38D-16-16	FDS-10SMP-21	SUBF-63D/T-16-16	FDS-10S/CFP-10WT-21	SUB-16FOPX	RDS-10MP-21
SUBM-38D-24-24	FDS-15SMP-21	SUBF-63D/T-24-24	FDS-15S/CFP-15WT-21	SUB-24FOPX	RDS-15MP-21
SAE Male Plug		Round Female SAE		Round Male NPT	
SUBM-48D-8-8	FDS-05SMP-05S-21	SUB-610-8-8	RDS-05MP-05S-21	SUB-606-8-8	RDS-05MP-05MN-21
SUBM-48D-16-16	FDS-10SMP-10S-21	SUB-610-16-16	RDS-10MP-10S-21	SUB-606-16-16	RDS-10MP-10MN-21
SUBM-48D-24-24	FDS-15SMP-15S-21	SUB-610-24-24	RDS-15MP-15S-21	SUB-606-24-24	RDS-15MP-15MN-21
Socket Weld Male Plug		Round Female NPT		Round Male JIC	
SUBM-59D-8-8	FDS-05SMP-05W*-21	SUB-608-8-8	RDS-05MP-05N-21	SUB-600-8-8	RDS-05MP-05J-21
SUBM-59D-16-16	FDS-10SMP-10W*-21	SUB-608-16-16	RDS-10MP-10N-21	SUB-600-16-16	RDS-10MP-10J-21
SUBM-59D-24-24	FDS-15SMP-15W*-21	SUB-608-24-24	RDS-15MP-15N-21	SUB-600-24-24	RDS-15MP-15J-21
Blank Female Plug		Round Socket Weld		Round Tube Socket Weld	
SUBF-38D/T-8-8	FDS-05S/CFP-21	SUB-53-8-8	RDS-05MP-05W*-21		RDS-05MP-05WT-21
SUBF-38D/T-16-16	FDS-10S/CFP-21	SUB-53-16-16	RDS-10MP-10W*-21		RDS-10MP-10WT-21
SUBF-38D/T-24-24	FDS-15S/CFP-21	SUB-53-24-24	RDS-15MP-15W*-21		RDS-15MP-15WT-21
SAE Female Plug		Round O-Ring Face Seal			
SUBF-49D/T-8-8	FDS-05S/CFP-05S-21	SUB-604-8-8	RDS-05MP-05ORFS-21		
SUBF-49D/T-16-16	FDS-10S/CFP-10S-21	SUB-604-16-16	RDS-10MP-10ORFS-21		
SUBF-49D/T-24-24	FDS-15S/CFP-15S-21	SUB-604-24-24	RDS-15MP-15ORFS-21		
Socket Weld Female Plug		Round Male SAE			
SUBF-60D/T-8-8	FDS-05S/CFP-05W*-21	SUB-602-8-8	RDS-05MP-05MS-21		
SUBF-60D/T-16-16	FDS-10S/CFP-10W*-21	SUB-602-16-16	RDS-10MP-10MS-21		
SUBF-60D/T-24-24	FDS-15S/CFP-15W*-21	SUB-602-24-24	RDS-15MP-15MS-21		

OTHER SUBSEA PRODUCTS

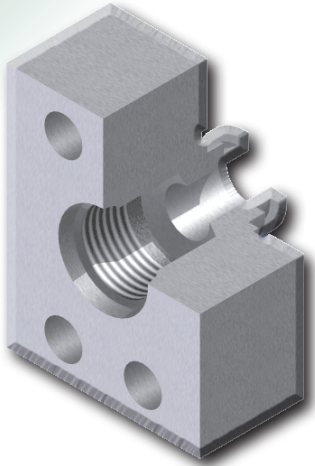


Adaptations of DMIC's complete line of products are available to system builders and OEMs serving Subsea installations. DMIC's unique design philosophy, and complete vertical integration from raw materials to finished goods, allows your Subsea valve and fluid connector requirement to be furnished accurately and cost effectively.

DMIC customers enjoy deliveries often a fraction of competitive options. Comprehensive 3D modelling and FEA/CFD capability combines with rapid prototyping and a structured manufacturing environment to result in on-time delivery of products with superlative performance and value, reducing the potential for failure.

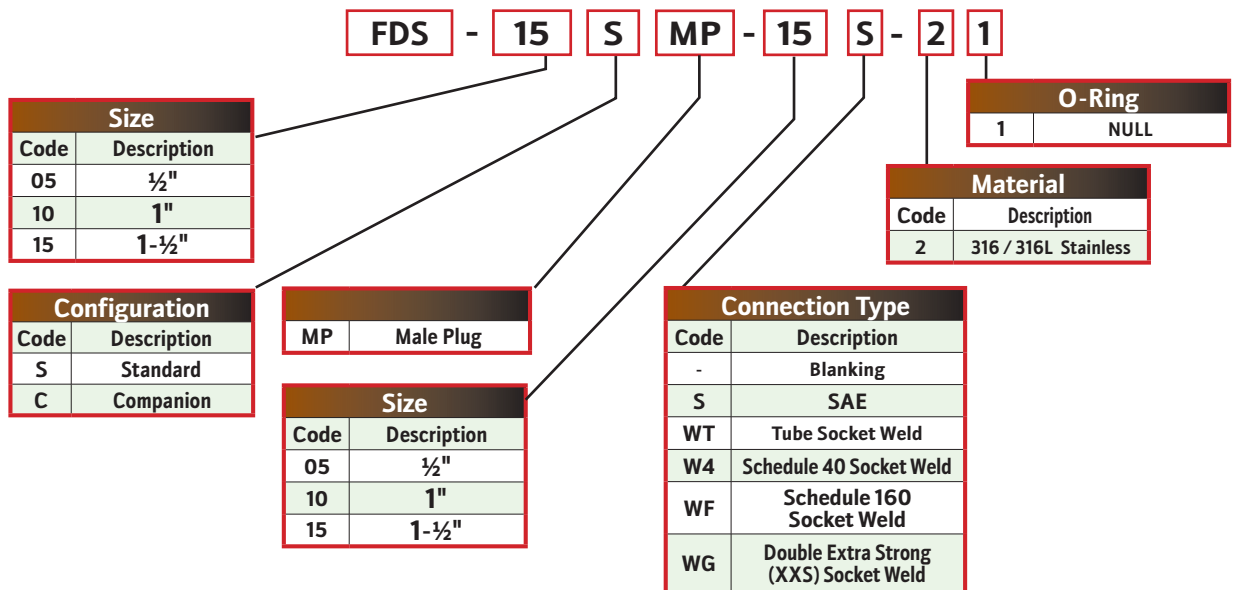
FDS-SMP / FDS-CMP

Flange Deep Sea - Standard Male Plug / Companion Male Plug



Dual o-ring face & radial seal adaptation of SAE J518/ISO 6162 C.62 Flange for subsea applications. Made in U.S.A. by DMIC for rapid delivery and available DFAR compliance.

- Widest array of standard and available port side connections including SAE, Socket Weld for Pipe & Tube, and metric BSPP/BSPT
- Principal radial seal ensures generous engineering factor for high internal pressure, and protects against side loading and vibration.
- Face seal protects against external contamination, and high external pressures
- NACE MR0175 compliant, 316/316L Stainless Steel construction
- SS Bolt kits are available with your choice of Buna-N, Viton, EPR O-Rings



FDS-SMP / FDS-CMP

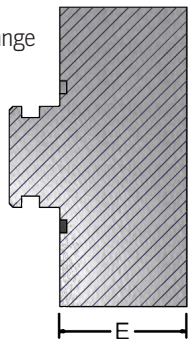
Part Number	Nominal Port Size	A	B	C	D	E	F	G	H	J	K
Std. Flange Male Plug Dimensions											
FDS-05SMP-21	½"	1.75	2.22	0.718	1.594	0.94	0.344	-	-	-	-
FDS-10SMP-21	1"	2.25	3.19	1.093	2.250	0.94	0.492	-	-	-	-
FDS-15SMP-21	1-½"	3.25	4.50	1.437	3.125	1.44	0.656	-	-	-	-
Std. Flange Male Plug To Female SAE Dimensions											
FDS-05SMP-05S-21	½"	1.75	2.22	0.718	1.594	0.94	0.344	0.406	-	3/4-16UNF	-
FDS-10SMP-10S-21	1"	2.25	3.19	1.093	2.250	1.33	0.492	0.938	-	15/16-12UN	-
FDS-15SMP-15S-21	1-½"	3.25	4.50	1.437	3.125	1.70	0.656	1.312	-	17/8-12UN	-
Std. Flange Male Plug To Socket Weld Dimensions											
FDS-05SMP-05W*-21	½"	1.75	2.22	0.718	1.594	0.94	0.344	0.406	0.860	-	0.500
FDS-10SMP-10W*-21	1"	2.25	3.19	1.093	2.250	0.94	0.492	0.938	1.335	-	0.500
FDS-15SMP-15W*-21	1-½"	3.25	4.50	1.437	3.125	1.44	0.656	1.312	1.920	-	0.500

Std. Male Plug

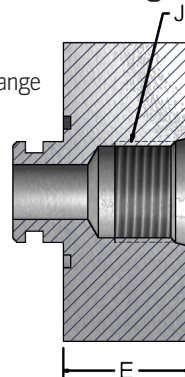
SAE Male Plug

Socket Weld Male Plug

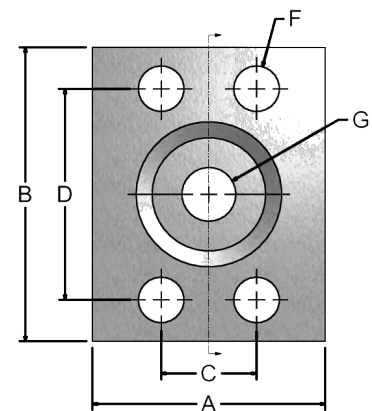
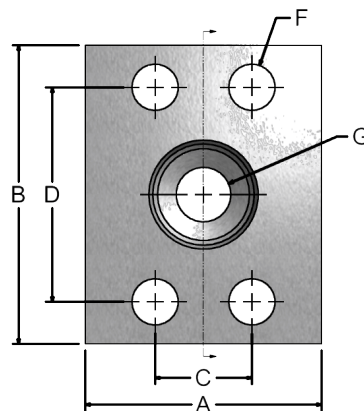
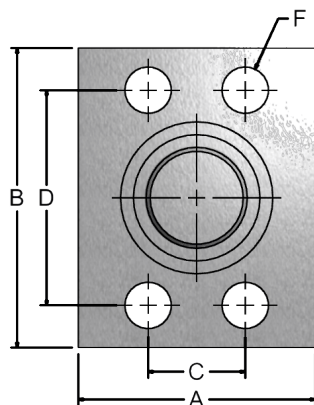
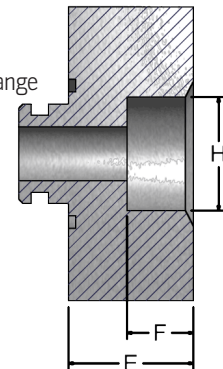
SMP-STD Flange



SMP-STD Flange

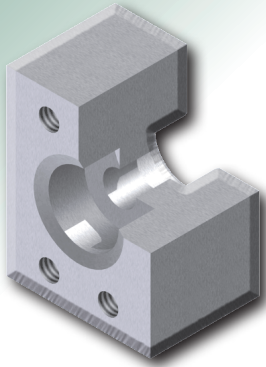


SMP-STD Flange



FDS-SFP / FDS-CFP

Flange Deep Sea - Standard Female Plug/Companion Female Plug



Dual o-ring face & radial seal adaptation of SAE J518/ISO6162 C.62 Flange for subsea applications. Made in U.S.A. by DMIC for rapid delivery and available DFAR compliance.

- Widest array of standard and available port side connections including SAE, Socket Weld for Pipe & Tube, and metric BSPP/BSPT. Rapid delivery of non-cataloged custom products.
- Principal radial seal ensures generous engineering factor for high internal pressure, and protects against side loading and vibration.
- Face seal protects against external contamination, and high external pressures
- NACE MR0175 compliant, 316/316L Stainless Steel construction
- SS Bolt kits are available with your choice of Buna-N 90 durometer Viton, EPR O-Rings

Size	
Code	Description
05	½"
10	1"
15	1-½"

Configuration	
Code	Description
S	Standard
C	Companion

FP	Female Plug
----	-------------

FDS - 05 S FP - 05 S - 2 1

Size	
Code	Description
05	½"
10	1"
15	1-½"

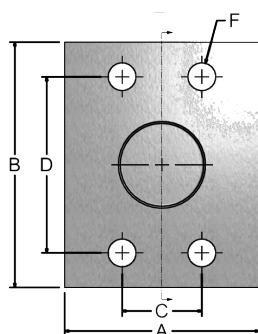
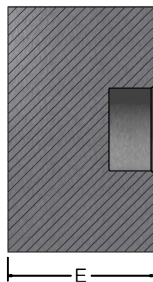
Connection Type	
Code	Description
-	Blanking
S	SAE
WT	Tube Socket Weld
W4	Schedule 40 Socket Weld
WF	Schedule 160 Socket Weld
WG	Double Extra Strong (XXS) Socket Weld

O-Ring	
Code	Description
1	NULL

Material	
Code	Description
2	316 / 316L Stainless

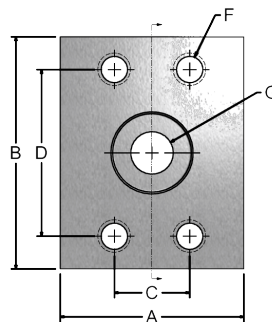
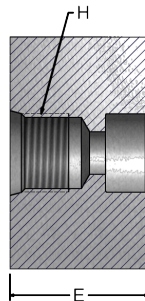
Female Plug

SFP-STD Flange



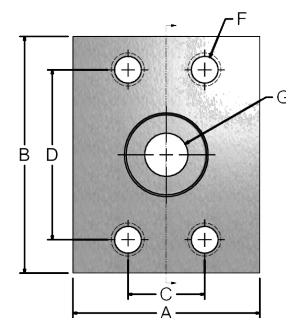
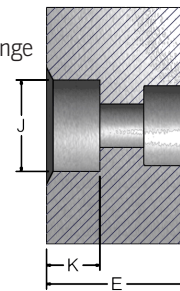
SAE Female Plug

CFP-COMP Flange



Socket Weld Female Plug

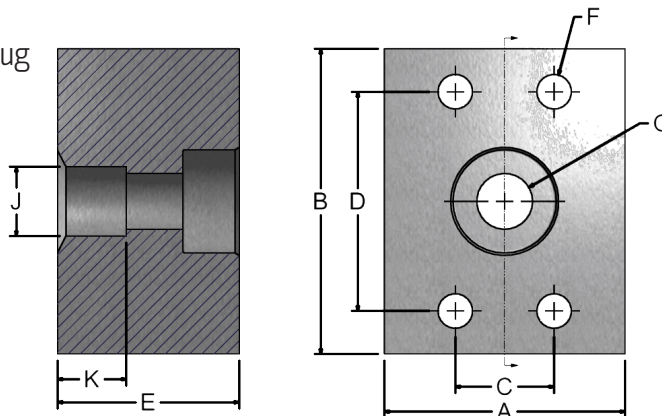
CFP-COMP Flange



FDS-SFP / FDS-CFP

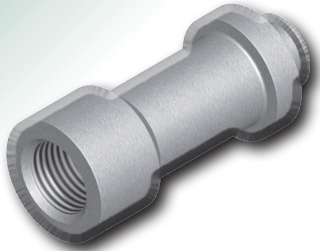
Part Number	Nominal Port Size	A	B	C	D	E	F		G	H	J	K
							Std	Comp				
Blank *Std./Comp. Flange Female Plug Dimensions												
FDS-05*FP-21	½"	1.75	2.22	0.718	1.594	1.32	0.344	5/16 - 18 UNC	-	-	-	-
FDS-10*FP-21	1"	2.25	3.19	1.093	2.250	1.32	0.492	7/16 - 14 UNC	-	-	-	-
FDS-15*FP-21	1-½"	3.25	4.50	1.437	3.125	1.94	0.656	5/8-11 UNC	-	-	-	-
*Std./Comp. Flange Female Plug To SAE Dimensions												
FDS-05*FP-05S-21	½"	1.75	2.22	0.718	1.594	1.32	0.344	5/16 - 18 UNC	0.406	3/4 - 16 UNF	-	-
FDS-10*FP-10S-21	1"	2.25	3.19	1.093	2.250	1.63	0.492	7/16 - 14 UNC	0.938	1- 5/16 - 12 UN	-	-
FDS-15*FP-15S-21	1-½"	3.25	4.50	1.437	3.125	1.94	0.656	5/8-11 UNC	1.312	1-7/8 - 12 UN	-	-
*Std./Comp. Flange Female Plug To Socket Weld Dimensions												
FDS-05*FP-05W*-21	½"	1.75	2.22	0.718	1.594	1.32	0.344	5/16 - 18 UNC	0.406	-	0.860	0.500
FDS-10*FP-10W*-21	1"	2.25	3.19	1.093	2.250	1.32	0.492	7/16 - 14 UNC	0.938	-	1.335	0.500
FDS-15*FP-15W*-21	1-½"	3.25	4.50	1.437	3.125	1.94	0.656	5/8-11 UNC	1.312	-	1.920	0.500
*Std./Comp. Flange Female Plug To Tube Socket Weld Dimensions												
FDS-05*FP-05WT-21	½"	1.75	2.22	0.718	1.594	1.32	0.344	5/16 - 18 UNC	0.406	-	0.502	0.500
FDS-10*FP-10WT-21	1"	2.25	3.19	1.093	2.250	1.32	0.492	7/16 - 14 UNC	0.938	-	1.002	0.500
FDS-15*FP-15WT-21	1-½"	3.25	4.50	1.437	3.125	1.94	0.656	5/8-11 UNC	1.312	-	1.502	0.500

Tube Socket Weld Female Plug



RDS

Round Subsea Split Flange Head Adapters



- Subsea adaptation of industry standard SAE J518 C.62 Split Flange Head, with captive O-ring groove for improved reliability
- NACE MR0175 compliant, 316/316L Stainless Steel construction
- High mechanical rigidity with vibration- and shock-resistance
- Wide variety of secondary connections including SAE ORB, Socket Weld, O-Ring Face Seal
- Dual radial + face seal elastomer elements.
- Generous engineering factor ; Made in U.S.A. by DMIC ; DFAR option

RDS - 05 MP - 05 S - 2 1

Size	
Code	Description
05	½"
10	1"
15	1-½"

MP	
Code	Description
MP	Male Plug

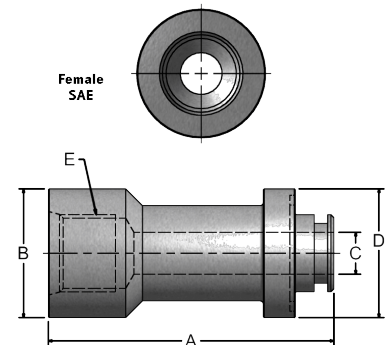
Size	
Code	Description
05	½"
10	1"
15	1-½"

Configuration	
Code	Description
S	Female SAE
N	Female NPT
MN	Male NPT
MS	Male SAE
J	Male JIC
WT	Tube Socket Weld
W4	Schedule 40 Socket Weld
WF	Schedule 160 Socket Weld
WG	Double Extra Strong (XXS) Socket Weld
ORFS	O-Ring Face Seal

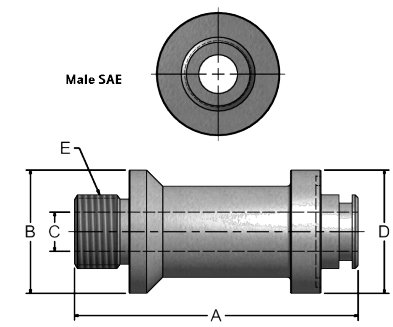
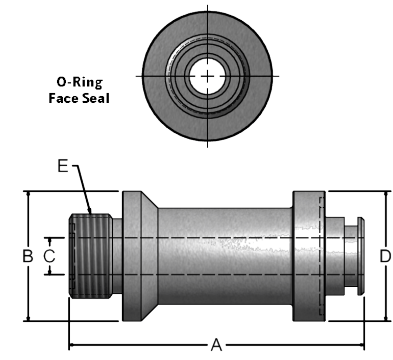
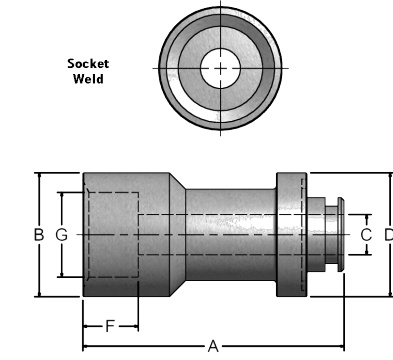
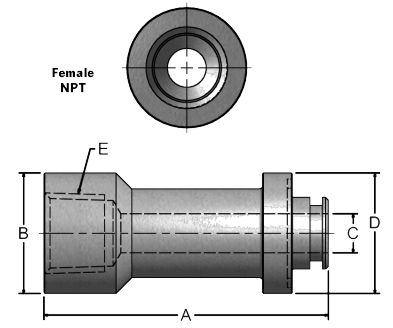
O-Ring	
Code	Description
1	NULL

Material	
Code	Description
2	316 / 316L Stainless

Part Number	Nominal Port Size	A	B	C	D	E	F	G
Female SAE Dimensions								
RDS-05MP-05S-21	½"	2.77	1.250	0.406	1.250	3/4-16UNF	-	-
RDS-10MP-10S-21	1"	3.72	2.000	0.938	1.875	1-5/16-12UN	-	-
RDS-15MP-15S-21	1-½"	4.59	2.750	1.312	2.500	1-7/8-12UN	-	-

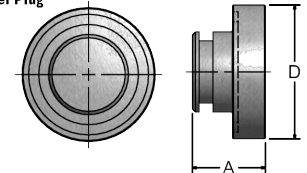


Part Number	Nominal Port Size	A	B	C	D	E	F	G
Female NPT Dimensions								
RDS-05MP-05N-21	½"	2.96	1.250	0.406	1.250	1/2-14 NPT	-	-
RDS-10MP-10N-21	1"	3.94	2.000	0.938	1.875	1-11.5 NPT	-	-
RDS-15MP-15N-21	1-½"	4.81	2.750	1.312	2.500	1 1/2-11.5 NPT	-	-
Socket Weld Dimensions								
RDS-05MP-05W*-21	½"	2.64	1.250	0.406	1.250	-	0.560	0.855
RDS-10MP-10W*-21	1"	3.44	2.000	0.938	1.875	-	0.630	1.328
RDS-15MP-15W*-21	1-½"	4.43	2.750	1.312	2.500	-	0.750	1.922
O-Ring Face Seal Dimensions								
RDS-05MP-05ORFS-21	½"	2.83	1.250	0.354	1.250	13/16-16UNF	-	-
RDS-10MP-10ORFS-21	1"	2.96	1.875	0.811	1.875	1- 7/16-12UN	-	-
RDS-15MP-15ORFS-21	1-½"	3.61	2.500	1.260	2.500	2-12UN	-	-
Male SAE Dimensions								
RDS-05MP-05MS-21	½"	2.87	1.250	0.394	1.250	3/4-16UNF	-	-
RDS-10MP-10MS-21	1"	3.00	1.875	0.844	1.875	1-5/16-12UN	-	-
RDS-15MP-15MS-21	1-½"	3.65	2.500	1.312	2.500	1- 7/8-12UN	-	-

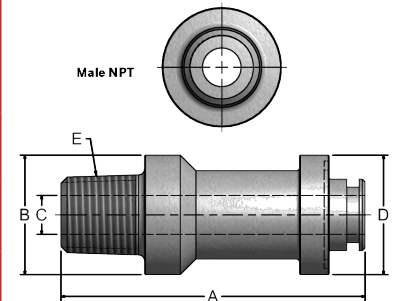


Part Number	Nominal Port Size	A	B	C	D	E	F	G
Fixed Nose Adapter Plug Dimensions								
RDS-05MP-21	½"	0.685	-	-	1.250	-	-	-
RDS-10MP-21	1"	0.750	-	-	1.875	-	-	-
RDS-15MP-21	1-½"	0.995	-	-	2.500	-	-	-
Male NPT Dimensions								
RDS-05MP-05MN-21	½"	3.18	1.250	0.406	1.250	1/2-14 NPT	-	-
RDS-10MP-10MN-21	1"	3.45	1.875	0.938	1.875	1-11.5 NPT	-	-
RDS-15MP-15MN-21	1-½"	4.10	2.500	1.312	2.500	1-1/2-11.5 NPT	-	-
Male JIC Dimensions								
RDS-05MP-05J-21	½"	2.98	1.250	0.394	1.250	3/4-16UNF	-	-
RDS-10MP-10J-21	1"	3.18	1.875	0.844	1.875	15/16-12UN	-	-
RDS-15MP-15J-21	1-½"	4.00	2.500	1.312	2.500	17/8-12UN	-	-
Tube Socket Weld Dimensions								
RDS-05MP-05WT-21	½"	2.64	1.250	0.406	1.250	-	0.500	0.502
RDS-10MP-10WT-21	1"	3.44	2.000	0.938	1.875	-	0.500	1.002
RDS-15MP-15WT-21	1-½"	4.43	2.750	1.312	2.500	-	0.500	1.502

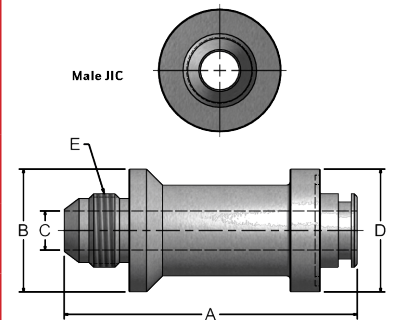
Fixed Nose Adapter Plug



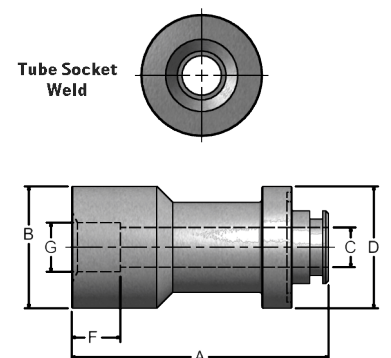
Male NPT



Male JIC

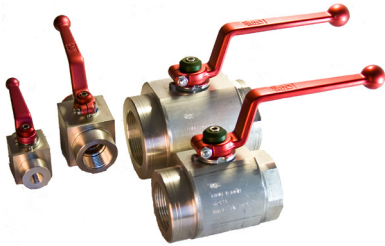


Tube Socket Weld

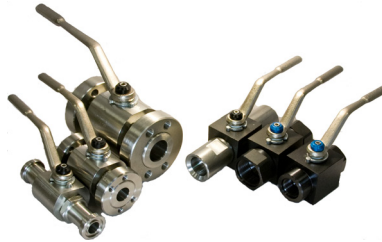


OTHER DMIC PRODUCTS

www.DMIC.com



BVAL valve family



BVH & BVAH valve family



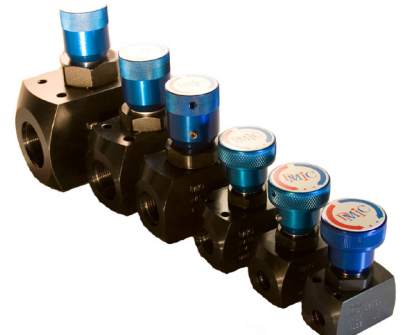
BVFF valve up to 20" available



FCHH flow control family



CVH/CVDM check valves



NVHH needle valve family



LGM Level Gauge Manifold



DMGI gauge isolator



SSW tank layout system

Due to our policy of continual product improvement, the specifications in this catalog may change without notice. When designing by spec, please request a certified print.



www.dmic.com
DMIC SUBSEA CATALOG
COPYRIGHT ©2011 DELAWARE MFG.

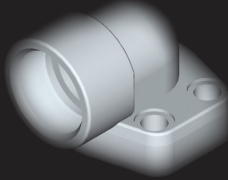
DSS-1105A
PAGE 11

CALL TOLL FREE 1-800-248-3642
IN CANADA 1-800-320-3642



EXPERIENCED DESIGNERS CHOOSE PRODUCTS

~ The Quality Choice when Safety and Design Integrity Prevail over Price ~



Stainless Steel Flanges

All DMIC Flanges are available in Stainless Steel for production quantity orders

Every model of DMIC Port Flange is available in Stainless Steel construction, often for rapid shipment. Your production quantity order of DMIC Stainless Steel flanges are forged from the same patterns as our carbon steel series, thereby retaining the same dimensional profile as DMIC's standard steel flanges.

Occasionally, a Buyer's express or low quantity Stainless Steel requirements are furnished from rectangular barstock for expedience. In these cases, all critical mounting dimensions are retained with the form factor of a rectangular "block" flange.



Special & Custom Flanges

DMIC's In-House Engineering & Domestic Manufacturing capabilities result in fast delivery of special & custom hydraulic flanges

DMIC is a leading supplier of special and custom flanges for North American Buyers. From step-size flanges, to metric versions of our imperial-spec flanges, to metric 4-bolt square flanges, to esoteric SAE-pattern sandwich plates with built-in ball valves, transducer ports, test points, and beyond, DMIC's capabilities to furnish specialized flange products efficiently and cost-competitively are recognized by OEMs and Buyers who appreciate quality.

WE CARE ABOUT YOU. You've selected genuine DMIC quality, and you deserve the best service.

If you are unsatisfied about some aspect of your experience with DMIC products, or wish to inquire about the possibility of becoming a DMIC Distributor, please call our toll free number below. Your satisfaction is our first priority.



Full Member, NFPA
National Fluid Power
Association, U.S.A.



NACE
INTERNATIONAL

 Delaware Manufacturing
Industries Corporation



American
Petroleum
Institute



3776 Commerce Court
Wheatfield, NY U.S.A. 14120
Phone: 716-743-4360
Fax: 716-743-4370



Nieuwe Uitleg 28
2514BR The Hague
Netherlands
Phone: 31 70 392 1063
Fax: 31 70 392 1059



330 Vansickle Road—Unit 4
St. Catharines, Ontario, Canada L2R 6P7
Phone: 905-688-3642
Fax: 905-688-9993