

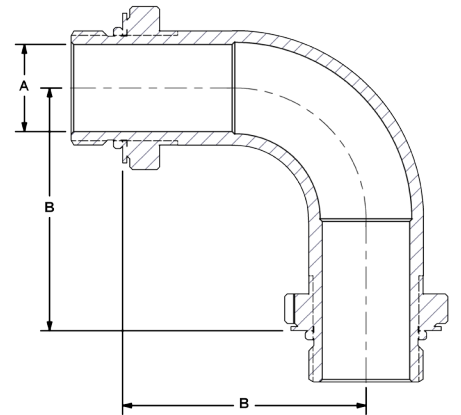
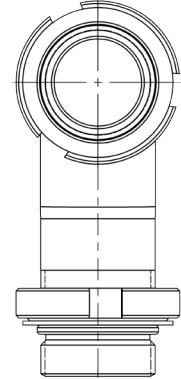
# SVE 90° Swivel - Swivel

Male to Male adapter ~ 1/2 to 6" SAE/BSP



The SVE provides flexibility of design in O-Ring sealed power unit layout. Rigid mechanical mounting of suspended valves is made simple and repeatable.

- Standard and expanded SAE/BSP connections from 1/2 - 6" size.
- Engineered in tandem with DMIC BVAL valves.
- Made in USA for fast delivery and top quality.
- Jump Sizes available.
- Used to join dissimilar thread 90° types ex. SAE to BSPP.
- Suction to 400 PSI.



SVE	Swivel to Swivel			
	Port Codes	Port Size	Dimensions IN	
			A	B
S B	3/4"	0.75	2.79	
	1"	1.00	2.79	
	1 1/4"	1.25	3.29	
	1 1/2"	1.50	3.66	
	2"	2.00	4.41	
	2 1/2"	2.50	5.22	
	3"	3.00	6.17	
	4"	4.00	7.67	

## Ordering Codes

**SVE - \*\* S - \*\* S - 1 1**

First Size Code		External Thread - M		Second Size Code		External Thread - M		O-Ring Elastomer	
Code	Port Size	Code	Description	Code	Port Size	Code	Description	Code	Description
07	3/4"	S	Swivel SAE-M ORB	07	3/4"	S	Swivel SAE-M ORB	1	Buna-N (standard)
10	1"	B	Swivel BSPP-M	10	1"	B	Swivel BSPP-M	2	Ethylene Propylene "EPR"
12	1 1/4"			12	1 1/4"			3	Viton
15	1 1/2"			15	1 1/2"				
20	2"			20	2"				
25	2 1/2"			25	2 1/2"				
30	3"			30	3"				
40	4"			40	4"				
50	5" - Call			50	5" - Call				
60	6" - Call			60	6" - Call				

**Adapter Material**

Code	Description
1	Low Carbon Steel
2	Stainless Steel

**Choose Adapter Size**  
Replace \*\* with the desired adapter size.  
Two different size codes selects step size option.

