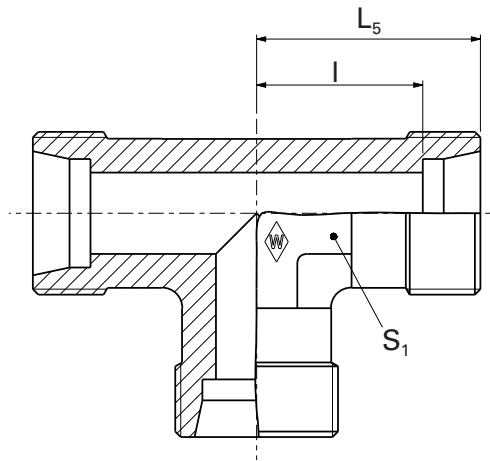


**TS ...**  
**TS ... -1.4571**



E

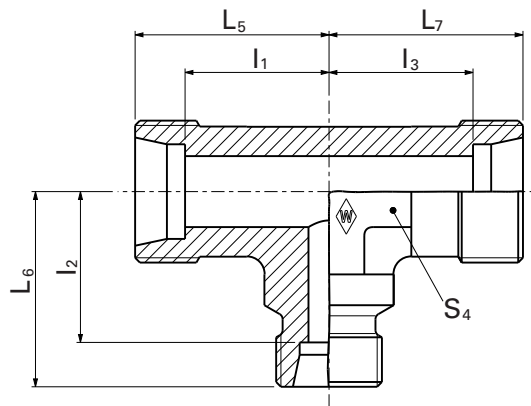
System nuts for supplementing the stud  
(for technical data, see part D of this catalog)

Series	PN bar (psi)	Tube outer diameter	Model	kg/ 100 pc.	DIN 2353	Stud TS ... Art. no.	Stud Stainless steel TS ... -1.4571* Art. no.	System nuts for supplementing the stud (for technical data, see part D of this catalog)		
								WALRING W-R ... VI Art. no.	WALFORM WF-M ... VI Art. no.	WALFORM stainless steel WF-M ... VI-1.4571* Art. no.
LL	100 (1450)	4	<b>TS 4 LL</b>	1.4	QLL 4	<b>WAL037887</b>	<b>WAL617473</b>			
		6	<b>TS 6 LL</b>	1.7	QLL 6	<b>WAL037889</b>	<b>WAL065339</b>			
		8	<b>TS 8 LL</b>	2.5	QLL 8	<b>WAL037890</b>	<b>WAL065341</b>			
L	500 (7252)	6	<b>TS 6 L</b>	3.4	QL 6	<b>WAL037891</b>	<b>WAL025596</b>	<b>WAL624607</b>	<b>WAL625940</b>	<b>WAL625980</b>
		8	<b>TS 8 L</b>	5.2	QL 8	<b>WAL037892</b>	<b>WAL025597</b>	<b>WAL624608</b>	<b>WAL625941</b>	<b>WAL625981</b>
		10	<b>TS 10 L</b>	6.3	QL 10	<b>WAL037893</b>	<b>WAL025598</b>	<b>WAL624609</b>	<b>WAL625942</b>	<b>WAL625982</b>
	400 (5801)	12	<b>TS 12 L</b>	8.6	QL 12	<b>WAL037894</b>	<b>WAL025599</b>	<b>WAL624610</b>	<b>WAL625943</b>	<b>WAL625983</b>
		15	<b>TS 15 L</b>	8.9	QL 15	<b>WAL037895</b>	<b>WAL025600</b>	<b>WAL624611</b>	<b>WAL625944</b>	<b>WAL625984</b>
		18	<b>TS 18 L</b>	14.7	QL 18	<b>WAL037896</b>	<b>WAL025601</b>	<b>WAL624612</b>	<b>WAL625945</b>	<b>WAL625985</b>
250 (3626)	22	<b>TS 22 L</b>	19.6	QL 22	<b>WAL037897</b>	<b>WAL025602</b>	<b>WAL624613</b>	<b>WAL625946</b>	<b>WAL625986</b>	
	28	<b>TS 28 L</b>	33.4	QL 28	<b>WAL037898</b>	<b>WAL025603</b>	<b>WAL624614</b>	<b>WAL625947</b>	<b>WAL625987</b>	
	35	<b>TS 35 L</b>	49.5	QL 35	<b>WAL037899</b>	<b>WAL025604</b>	<b>WAL624615</b>	<b>WAL625948</b>	<b>WAL625988</b>	
	42	<b>TS 42 L</b>	67.5	QL 42	<b>WAL037900</b>	<b>WAL025605</b>	<b>WAL624616</b>	<b>WAL625949</b>	<b>WAL625989</b>	
S	800 (11603)	6	<b>TS 6 S</b>	6.1	QS 6	<b>WAL037901</b>	<b>WAL025606</b>	<b>WAL624617</b>	<b>WAL625950</b>	<b>WAL625990</b>
		8	<b>TS 8 S</b>	8.6	QS 8	<b>WAL037902</b>	<b>WAL025607</b>	<b>WAL624618</b>	<b>WAL625951</b>	<b>WAL625991</b>
		10	<b>TS 10 S</b>	10.8	QS 10	<b>WAL037903</b>	<b>WAL025608</b>	<b>WAL624619</b>	<b>WAL625952</b>	<b>WAL625992</b>
	630 (9137)	12	<b>TS 12 S</b>	16.0	QS 12	<b>WAL037904</b>	<b>WAL025609</b>	<b>WAL624620</b>	<b>WAL625953</b>	<b>WAL625993</b>
		14	<b>TS 14 S</b>	13.2	QS 14	<b>WAL037905</b>	<b>WAL025610</b>			
		16	<b>TS 16 S</b>	16.0	QS 16	<b>WAL037906</b>	<b>WAL025611</b>	<b>WAL624621</b>	<b>WAL625954</b>	<b>WAL625994</b>
	420 (6091)	20	<b>TS 20 S</b>	26.8	QS 20	<b>WAL037907</b>	<b>WAL025612</b>	<b>WAL624622</b>	<b>WAL625955</b>	<b>WAL625995</b>
		25	<b>TS 25 S</b>	46.0	QS 25	<b>WAL037908</b>	<b>WAL025613</b>	<b>WAL624623</b>	<b>WAL625956</b>	<b>WAL625996</b>
		30	<b>TS 30 S</b>	71.4	QS 30	<b>WAL037909</b>	<b>WAL025614</b>	<b>WAL624624</b>	<b>WAL625957</b>	<b>WAL625997</b>
		38	<b>TS 38 S</b>	103.5	QS 38	<b>WAL037910</b>	<b>WAL025615</b>	<b>WAL624625</b>	<b>WAL625958</b>	<b>WAL625998</b>

**⚠ Caution:** The pressure specifications refer to the steel version. For the stainless steel version (1.4571), please refer to the pressure specifications on page B5.

Special parts are available on request.

TS 1/2/3



E

Series	PN bar (psi)	Tube outer diameter 1	Tube outer diameter 2	Tube outer diameter 3	Model	kg/100 pc.	Art. no.	Stud TS .../.../...
L	500 (7525)	10	6	10	TS 10/6/10 L	5.8	WAL027761	
		10	8	10	TS 10/8/10 L	5.8	WAL029472	
		12	6	12	TS 12/6/12 L	8.9	WAL025465	
		12	8	12	TS 12/8/12 L	8.7	WAL027710	
		12	10	12	TS 12/10/12 L	8.9	WAL024215	
		12	15	12	TS 12/15/12 L	7.9	WAL060044	
	400 (5801)	15	12	12	TS 15/12/12 L	8.0	WAL028939	
		15	15	12	TS 15/15/12 L	8.0	WAL024959	
		15	8	15	TS 15/8/15 L	7.7	WAL025033	
		15	10	15	TS 15/10/15 L	8.0	WAL060051	
		15	12	15	TS 15/12/15 L	8.7	WAL029473	
		18	12	12	TS 18/12/12 L	15.0	WAL064007	
	250 (3626)	18	10	18	TS 18/10/18 L	15.0	WAL029620	
		18	12	18	TS 18/12/18 L	15.3	WAL028666	
		18	15	18	TS 18/15/18 L	15.5	WAL066450	
		22	10	22	TS 22/10/22 L	20.1	WAL025467	
		22	15	22	TS 22/15/22 L	20.6	WAL060866	
		28	22	22	TS 28/22/22 L	34.0	WAL063243	
		28	28	TS 28/22/28 L	33.2	WAL060956		

Special parts are available on request.