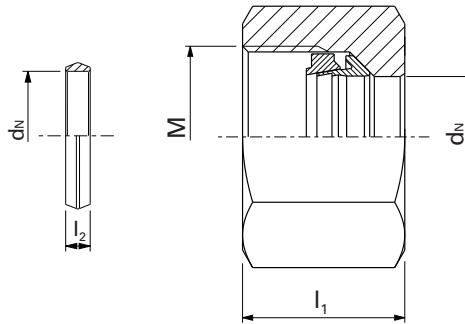


Tube connecting parts for WALRing tube fittings

W-R...

- WALRing system nut with integrated soft seal
- WALFORM soft seal made from FPM* (e.g. Viton)
- Alternative option: WALFORM soft seal made from NBR (e.g. Perbunan)



D

Series	PN bar (psi)	Tube outer diameter d _N	Model	kg/ 100 pc.	M	l ₁	l ₂	S ₂	WALRING W-R ... VI Art. no.	Replacement soft seal WF-WD ... VI Art. no.	Alternative option: WF-WD made from NBR Replacement soft seal WF-WD... Art. no.
L	500 (7252)	6	W-R 6 L VI	0.9	M 12 x 1.5	14.5	2.7	14	WAL624607	WAL610871	WAL612893
		8	W-R 8 L VI	1.4	M 14 x 1.5	14.5	2.7	17	WAL624608	WAL610872	WAL612894
		10	W-R 10 L VI	2.0	M 16 x 1.5	15.5	2.95	19	WAL624609	WAL610873	WAL612840
	400 (5801)	12	W-R 12 L VI	2.5	M 18 x 1.5	15.5	2.95	22	WAL624610	WAL610874	WAL612790
		15	W-R 15 L VI	4.0	M 22 x 1.5	17	2.95	27	WAL624611	WAL610875	WAL612479
		18	W-R 18 L VI	6.0	M 26 x 1.5	18	2.95	32	WAL624612	WAL610877	WAL612896
	250 (3626)	22	W-R 22 L VI	8.0	M 30 x 2	20	2.95	36	WAL624613	WAL610879	WAL612897
		28	W-R 28 L VI	8.5	M 36 x 2	21	2.95	41	WAL624614	WAL610881	WAL612898
		35	W-R 35 L VI	13.0	M 45 x 2	24	3.5	50	WAL624615	WAL610883	WAL612899
		42	W-R 42 L VI	21.0	M 52 x 2	24	3.5	60	WAL624616	WAL610885	WAL612900
S	800 (11603)	6	W-R 6 S VI	1.5	M 14 x 1.5	16.5	2.7	17	WAL624617	WAL610871	WAL612893
		8	W-R 8 S VI	1.7	M 16 x 1.5	16.5	2.7	19	WAL624618	WAL610872	WAL612894
		10	W-R 10 S VI	3.0	M 18 x 1.5	17.5	2.95	22	WAL624619	WAL610873	WAL612840
	630 (9137)	12	W-R 12 S VI	3.5	M 20 x 1.5	17.5	2.95	24	WAL624620	WAL610874	WAL612790
		16	W-R 16 S VI	6.0	M 24 x 1.5	20.5	2.95	30	WAL624621	WAL610876	WAL612895
	420 (6091)	20	W-R 20 S VI	9.5	M 30 x 2	24	3.7	36	WAL624622	WAL610878	WAL612480
		25	W-R 25 S VI	19.5	M 36 x 2	27	3.7	46	WAL624623	WAL610880	WAL612791
		30	W-R 30 S VI	21.5	M 42 x 2	29	3.85	50	WAL624624	WAL610882	WAL612481
		38	W-R 38 S VI	31.0	M 52 x 2	32.5	3.5	60	WAL624625	WAL610884	WAL612837

*EPDM available on request