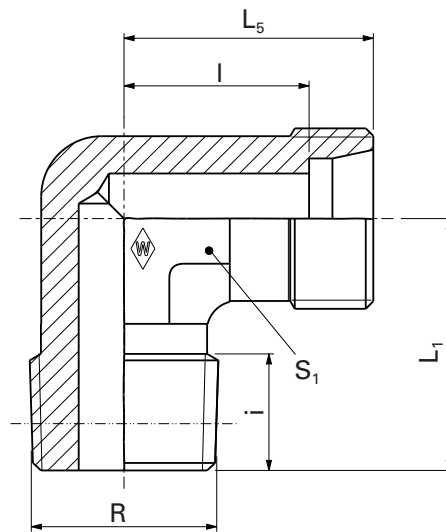


WES ... RK

WES ... RK-1.4571



E

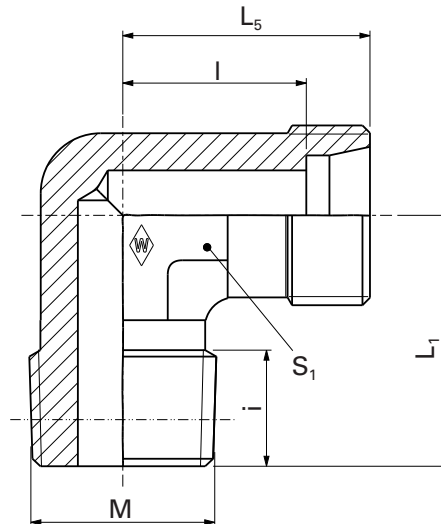
System nuts for supplementing the stud
(for technical data, see part D of this catalog)

Series	PN bar (psi)	Tube outer diameter	Model	kg/100 pc.	R	Stud WES ... Art. no.	Stud Stainless steel WES ... -1.4571* Art. no.	WALRING W-R ... VI Art. no.	WALFORM WF-M ... VI Art. no.	WALFORM stainless steel WF-M ... VI-1.4571* Art. no.
LL	100 (1450)	4	WES 4 LLRK	1.7	R 1/8 taper	WAL037695	WAL617440			
		6	WES 6 LLRK	1.6	R 1/8 taper	WAL037697	WAL061405			
		8	WES 8 LLRK	2.2	R 1/8 taper	WAL037698	WAL065331			
L	250 (3626)	6	WES 6 LRK	2.8	R 1/8 taper	WAL037699	WAL025517	WAL624607	WAL625940	WAL625980
		6	WES 6 L/R 1/4 K	5.0	R 1/4 taper	WAL037700	WAL065333	WAL624607	WAL625940	WAL625980
		8	WES 8 LRK	4.6	R 1/4 taper	WAL037701	WAL025518	WAL624608	WAL625941	WAL625981
		10	WES 10 LRK	8.9	R 1/4 taper	WAL037702	WAL025519	WAL624609	WAL625942	WAL625982
		10	WES 10 L/R 3/8 K	6.8	R 3/8 taper	WAL037703	WAL024259	WAL624609	WAL625942	WAL625982
		12	WES 12 L/R 1/4 K	8.4	R 1/4 taper	WAL037704	WAL065335	WAL624610	WAL625943	WAL625983
		12	WES 12 LRK	8.9	R 3/8 taper	WAL037705	WAL025520	WAL624610	WAL625943	WAL625983
		15	WES 15 LRK	8.9	R 1/2 taper	WAL037706	WAL025521	WAL624611	WAL625944	WAL625984
S	160 (2321)	18	WES 18 LRK	12.0	R 1/2 taper	WAL037707	WAL025522	WAL624612	WAL625945	WAL625985
		6	WES 6 SRK	5.4	R 1/4 taper	WAL037708	WAL025523	WAL624617	WAL625950	WAL625990
	630 ** (9137)	8	WES 8 SRK	7.7	R 1/4 taper	WAL037709	WAL025524	WAL624618	WAL625951	WAL625991
		10	WES 10 SRK	10.1	R 3/8 taper	WAL037710	WAL025525	WAL624619	WAL625952	WAL625992
		12	WES 12 SRK	12.7	R 3/8 taper	WAL037711	WAL025526	WAL624620	WAL625953	WAL625993
		14	WES 14 SRK	10.6	R 1/2 taper	WAL037712	WAL025527			
	400 (5801)	16	WES 16 SRK	13.6	R 1/2 taper	WAL037713	WAL025528	WAL624621	WAL625954	WAL625994

⚠ Caution: The pressure specifications refer to the steel version. For the stainless steel version (1.4571), please refer to the pressure specifications on page B5.

Special parts are available on request.

WES ... MK WES ... MK-1.4571



E

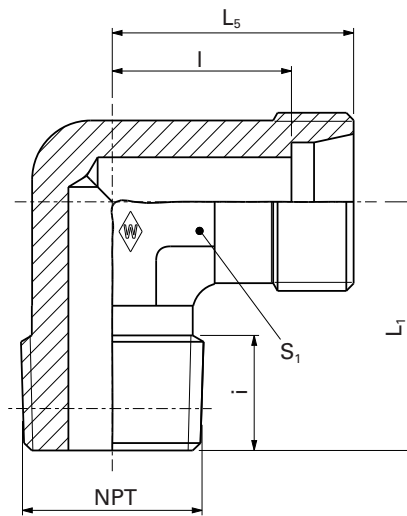
System nuts for supplementing the stud
(for technical data, see part D of this catalog)

Series	PN bar (psi)	Tube outer diameter	Model	M	kg/100 pc.	Stud WES ... Art. no.	Stud Stainless steel WES ... -1.4571* Art. no.	WALRING W-R ... VI Art. no.	WALFORM WF-M ... VI Art. no.	WALFORM stainless steel WF-M ... VI-1.4571* Art. no.
LL	100 (1450)	4	WES 4 LLMK	M 8 x 1 taper	1.5	WAL037714	WAL067181			
		6	WES 6 LLMK	M 10 x 1 taper	1.6	WAL037716	WAL606649			
		8	WES 8 LLMK	M 10 x 1 taper	2.3	WAL037717	WAL617441			
L	250 (3626)	6	WES 6 LMK	M 10 x 1 taper	2.9	WAL037718	WAL025537	WAL624607	WAL625940	WAL625980
		8	WES 8 LMK	M 12 x 1.5 taper	4.4	WAL037719	WAL025538	WAL624608	WAL625941	WAL625981
		10	WES 10 LMK	M 14 x 1.5 taper	6.1	WAL037720	WAL025539	WAL624609	WAL625942	WAL625982
		12	WES 12 LMK	M 16 x 1.5 taper	8.7	WAL037721	WAL025540	WAL624610	WAL625943	WAL625983
		15	WES 15 LMK	M 18 x 1.5 taper	8.1	WAL037722	WAL025541	WAL624611	WAL625944	WAL625984
	160 (2321)	18	WES 18 LMK	M 22 x 1.5 taper	12.2	WAL037723	WAL025542	WAL624612	WAL625945	WAL625985
S	630** (9137)	6	WES 6 SMK	M 12 x 1.5 taper	5.3	WAL037724	WAL025543	WAL624617	WAL625950	WAL625990
		8	WES 8 SMK	M 14 x 1.5 taper	7.8	WAL037725	WAL025544	WAL624618	WAL625951	WAL625991
		10	WES 10 SMK	M 16 x 1.5 taper	10.3	WAL037726	WAL025545	WAL624619	WAL625952	WAL625992
		12	WES 12 SMK	M 18 x 1.5 taper	12.9	WAL037727	WAL025546	WAL624620	WAL625953	WAL625993
		14	WES 14 SMK	M 20 x 1.5 taper	10.3	WAL037728	WAL025547			
	400 (5801)	16	WES 16 SMK	M 22 x 1.5 taper	11.4	WAL037729	WAL025548	WAL624621	WAL625954	WAL625994

⚠ Caution: The pressure specifications refer to the steel version. For the stainless steel version (1.4571), please refer to the pressure specifications on page B5.

Special parts are available on request.

WES ... NPT
WES ... NPT-1.4571



E

System nuts for supplementing the stud
 (for technical data, see part D of this catalog)

Series	PN bar (psi)	Tube outer diameter	Model	NPT	kg/100 pc.	Stud WES ... Art. no.	Stud Stainless steel WES ... -1.4571* Art. no.	WALRING W-R ... VI Art. no.	WALFORM WF-M ... VI Art. no.	WALFORM stainless steel WF-M ... VI-1.4571* Art. no.
LL	100 (1450)	4	WES 4LL/ 1/8 NPT	1/8 NPT	1.4	WAL037670	WAL617442			
		6	WES 6 LL/ 1/8 NPT	1/8 NPT	1.7	WAL037672	WAL024144			
		8	WES 8 LL/ 1/8 NPT	1/8 NPT	2.3	WAL037673	WAL617443			
L	250 (3626)	6	WES 6 L/ 1/8 NPT	1/8 NPT	2.8	WAL037674	WAL604782	WAL624607	WAL625940	WAL625980
		8	WES 8 L/ 1/4 NPT	1/4 NPT	4.5	WAL037675	WAL066342	WAL624608	WAL625941	WAL625981
		10	WES 10 L/ 1/4 NPT	1/4 NPT	6	WAL037676	WAL060075	WAL624609	WAL625942	WAL625982
		12	WES 12 L/ 1/4 NPT	1/4 NPT	8.1	WAL037677	WAL067069	WAL624610	WAL625943	WAL625983
		12	WES 12 L/ 3/8 NPT	3/8 NPT	8.6	WAL037678	WAL067678	WAL624610	WAL625943	WAL625983
		15	WES 15 L/ 1/2 NPT	1/2 NPT	8.8	WAL037679	WAL067682	WAL624611	WAL625944	WAL625984
		18	WES 18 L/ 1/2 NPT	1/2 NPT	13.1	WAL037680	WAL027535	WAL624612	WAL625945	WAL625985
	160 (2321)	22	WES 22 L/ 3/4 NPT	3/8 NPT	14.9	WAL037681	WAL069030	WAL624613	WAL625946	WAL625986
	100 (1450)	28	WES 28 L/1 NPT	1 NPT	28.3	WAL037682	WAL604436	WAL624612	WAL625945	WAL625985
S	630 (9137)	6	WES 6 S/ 1/4 NPT	1/4 NPT	5.3	WAL037685	WAL604307	WAL624617	WAL625950	WAL625990
		8	WES 8 S/ 1/4 NPT	1/4 NPT	7.3	WAL037686	WAL604712	WAL624618	WAL625951	WAL625991
		10	WES 10 S/ 3/8 NPT	3/8 NPT	9.7	WAL037687	WAL605048	WAL624619	WAL625952	WAL625992
		12	WES 12 S/ 3/8 NPT	3/8 NPT	12.1	WAL037688	WAL372649	WAL624620	WAL625953	WAL625993
		14	WES 14 S/ 1/2 NPT	1/2 NPT	10.3	WAL037689	WAL067071			
		16	WES 16 S/ 1/2 NPT	1/2 NPT	13.8	WAL037690	WAL605049	WAL624621	WAL625954	WAL625994
		20	WES 20 S/ 3/4 NPT	3/4 NPT	19.7	WAL037691	WAL067073	WAL624622	WAL625955	WAL625995
	400 (5801)	25	WES 25 S/1 NPT	1 NPT	36	WAL037692	WAL617444	WAL624623	WAL625956	WAL625996

⚠ Caution: The pressure specifications refer to the steel version. For the stainless steel version (1.4571), please refer to the pressure specifications on page B5.

Special parts are available on request.