

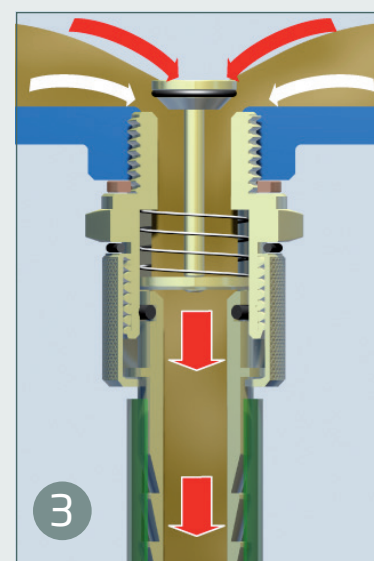
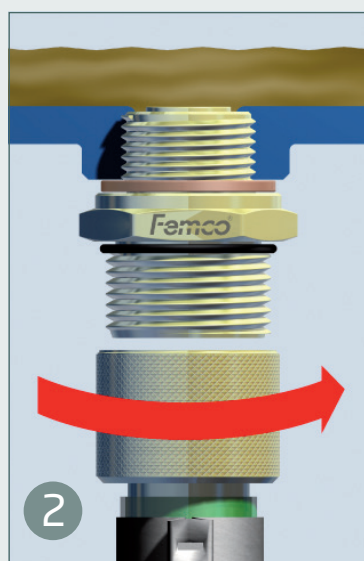
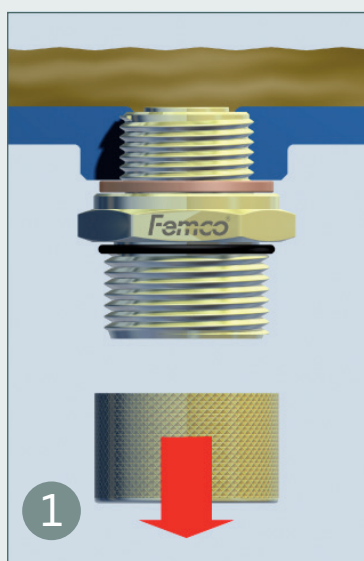
## PRODUCTS

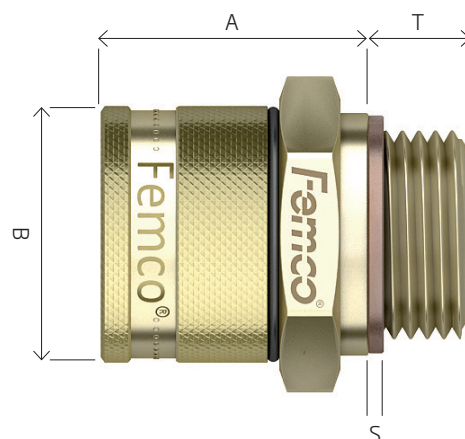
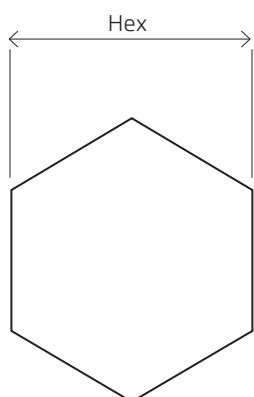
# XL DRAIN PLUG

The XL is the biggest oil drain plug we produce and is the ideal solution for vehicles and machines with a large oil capacity. Our XL oil drain plug has an optimised flow and is specially designed to drain large volumes of oil in a short amount of time. Therefore, the XL is the ideal solution for heavy equipment such as trucks and mining equipment. To service fleets of large vehicles Femco® has also introduced the XL Click Drain. This quick-coupling system combines the advantages of the XL and the Click Drain plugs. Therefore, the XL Click Drain is the most effective solution for fleets of heavy equipment and train.



### HOW TO DRAIN YOUR OIL (OR OTHER FLUIDS)





METR. SIZES						
Thread size	Item number	T	A	B	S	Hex
M27x2.0	5090020272	12	30	40	2	36
M27x2.0 o-ring	5090020273	12	30	40	o-ring	36
M30x1.5	5090020301	10	32	40	2	36
M32x1.5	5090020322	12	30	40	2	41

NPT						
Thread size	Item number	T	A	B	S	Hex
1 1/8 NPT	5060021115	12	30	40	n/a	41

UNF						
Thread size	Item number	T	A	B	S	Hex
1 1/16-12 UNF	5080021116	15	30	40	2	36
1 1/8-12 UNF	5080021181	12	27	40	2	36
1-1/8 12 UNF	5080021180	15	27	40	2	36
1 5/16-12 UNF	5080021516	12	30	40	2	36
1 1/2-12 UNF	5080021120	12	30	40	2	46
1 7/8-12 UNF	5080020178	12	30	40	2	46

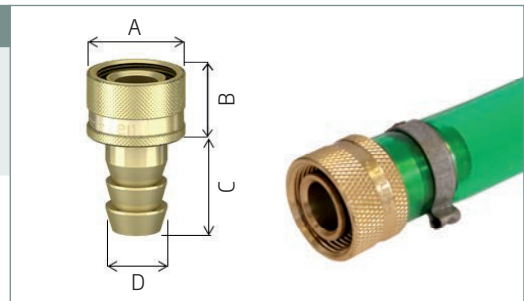
BSP						
Thread size	Item number	T	A	B	S	Hex
1-11 BSP	5070021111	12	30	40	2	41

## XL DRAIN DESIGN

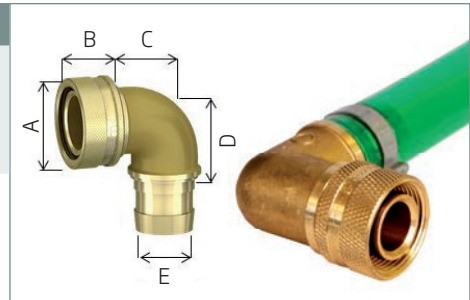
## ACCESSORIES

### Fits all XL drain plugs

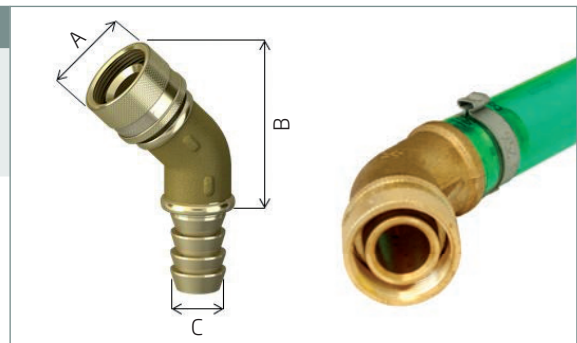
DESCRIPTION	THREAD SIZE		ITEM NUMBER	A	B	C	D
Straight Drainer	M36 x 1.5	XL	655001	40	18	28	26
Straight Drainer with hose 25cm	M36 x 1.5	XL	655002				
Straight Drainer with hose 130cm	M36 x 1.5	XL	655003				



DESCRIPTION	THREAD SIZE		ITEM NUMBER	A	B	C	D	E
Angled drainer 90°	M36 x 1.5	XL	655006	40	18	48	43	26
Angled drainer 90° with hose 25cm	M36 x 1.5	XL	655007					
Angled drainer 90° with hose 130cm	M36 x 1.5	XL	655008					



DESCRIPTION	THREAD SIZE		ITEM NUMBER	A	B	C
Angled drainer 45°	M36 x 1.5	XL	655009	40	52	26
Angled drainer 45° with hose 25cm	M36 x 1.5	XL	655010			
Angled drainer 45° with hose 40cm	M36 x 1.5	XL	655011			



DESCRIPTION	THREAD SIZE		ITEM NUMBER
Straight drainer XL to 3/4" NPT male	M36 x 1.5	XL	655020
90° Angled drainer XL to 3/4" NPT male	M36 x 1.5	XL	655021
45° Angled drainer XL to 3/4" NPT male	M36 x 1.5	XL	655022



DESCRIPTION	THREAD SIZE		ITEM NUMBER
Straight drainer XL to 3/4" BSP male	M36 x 1.5	XL	655030
90° Angled drainer XL to 3/4" BSP male	M36 x 1.5	XL	655031
45° Angled drainer XL to 3/4" BSP male	M36 x 1.5	XL	655032



With 600 sizes in stock, if you don't see yours, please contact us for a quote.